

ALUMINIUM SUPPORT SYSTEM FOR
RAINSCREEN CLADDING
XKELEX X-BK50

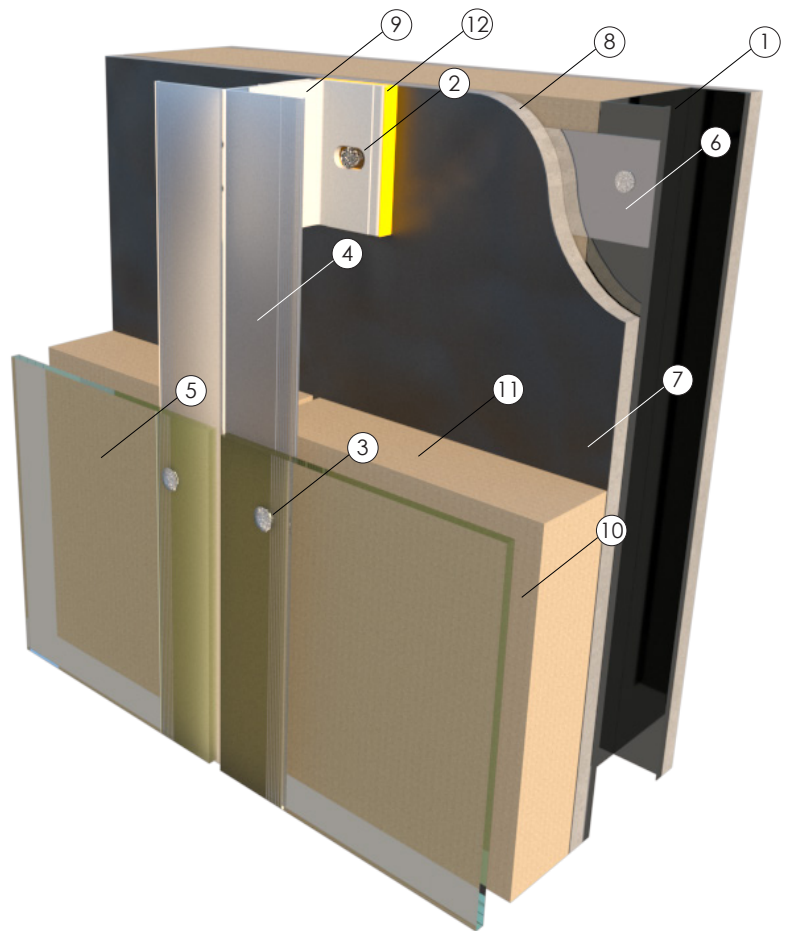


LEGEND

1. Steel Stud (16 GA typical)
2. Wall anchor
3. SFS Rivet or Torx head screw
4. X-T50 profile
5. Exterior panel
6. Steel Backing Plate
7. A/V Barrier
8. Exterior Wall
9. X-BK50-S Bracket
10. Air chamber
11. Mineral Wool
12. X-TB-BK50

CONTENT

- | | |
|---------|----------------------------|
| BK50-00 | Xkelex System detail sheet |
| BK50-01 | Profiles |
| BK50-02 | Building Elevation |
| BK50-03 | Vertical Panel Joint |
| BK50-04 | Horizontal Mid Panel |
| BK50-05 | Window Jamb |
| BK50-06 | Door Jamb |
| BK50-07 | Inside Corner |
| BK50-08 | Outside Corner |
| BK50-09 | Window Head |
| BK50-10 | Horizontal Panel Joint |
| BK50-11 | Window Sill |
| BK50-12 | Base Detail |



NOTES:



SYSTEM:

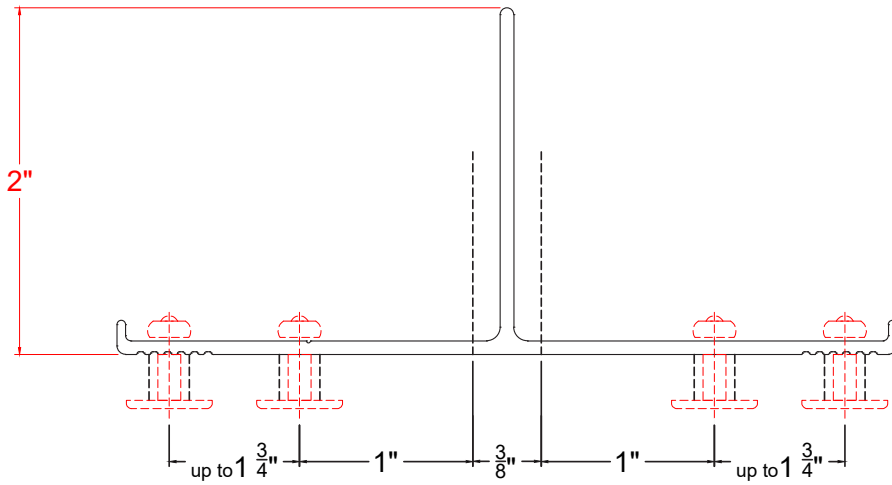
X-BK50

DETAIL:

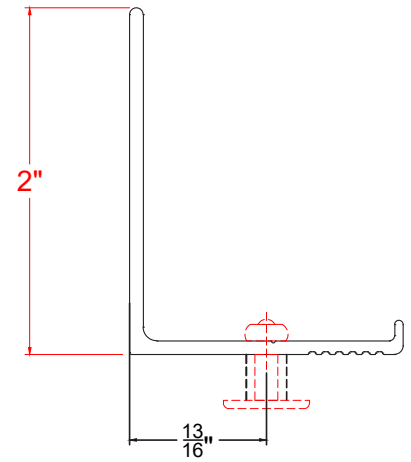
XKELEX SYSTEM

DETAIL SHEET:

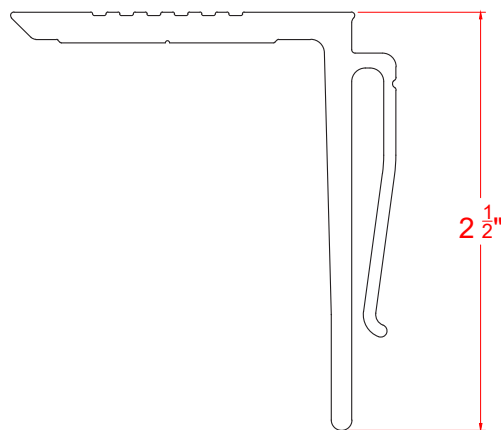
BK50-00



X-T50 PROFILE



X-L50 PROFILE



X-BK50-S BRACKET

NOTES:

SYSTEM:

X-BK50

DETAIL:

PROFILES

DETAIL SHEET:

BK50-01



NOTES:

SYSTEM:

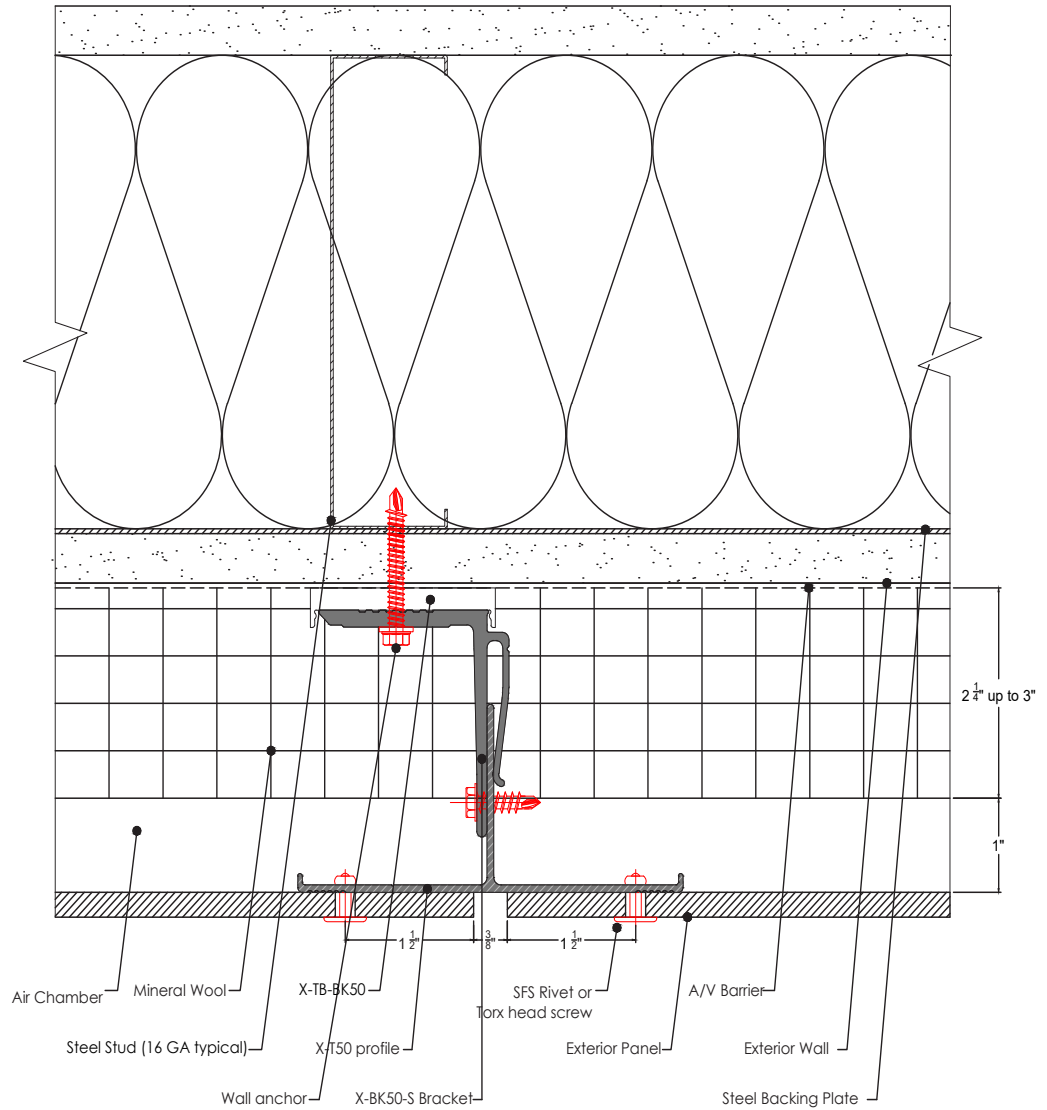
X-BK50

DETAIL:

BUILDING ELEVATION

DETAIL SHEET:

BK50-02



NOTES:

SYSTEM:

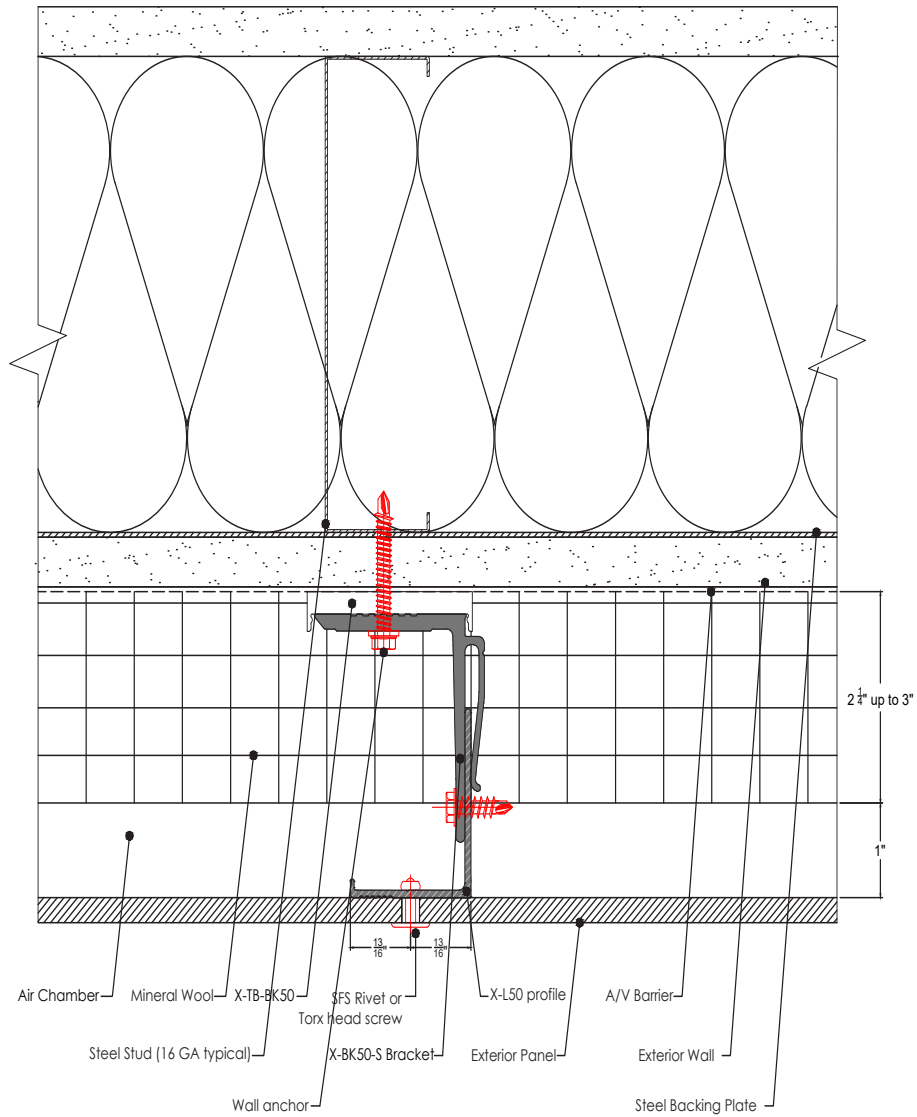
X-BK50

DETAIL:

PLAN VIEW VERTICAL PANEL JOINT

DETAIL SHEET:

BK50-03



NOTES:

SYSTEM:

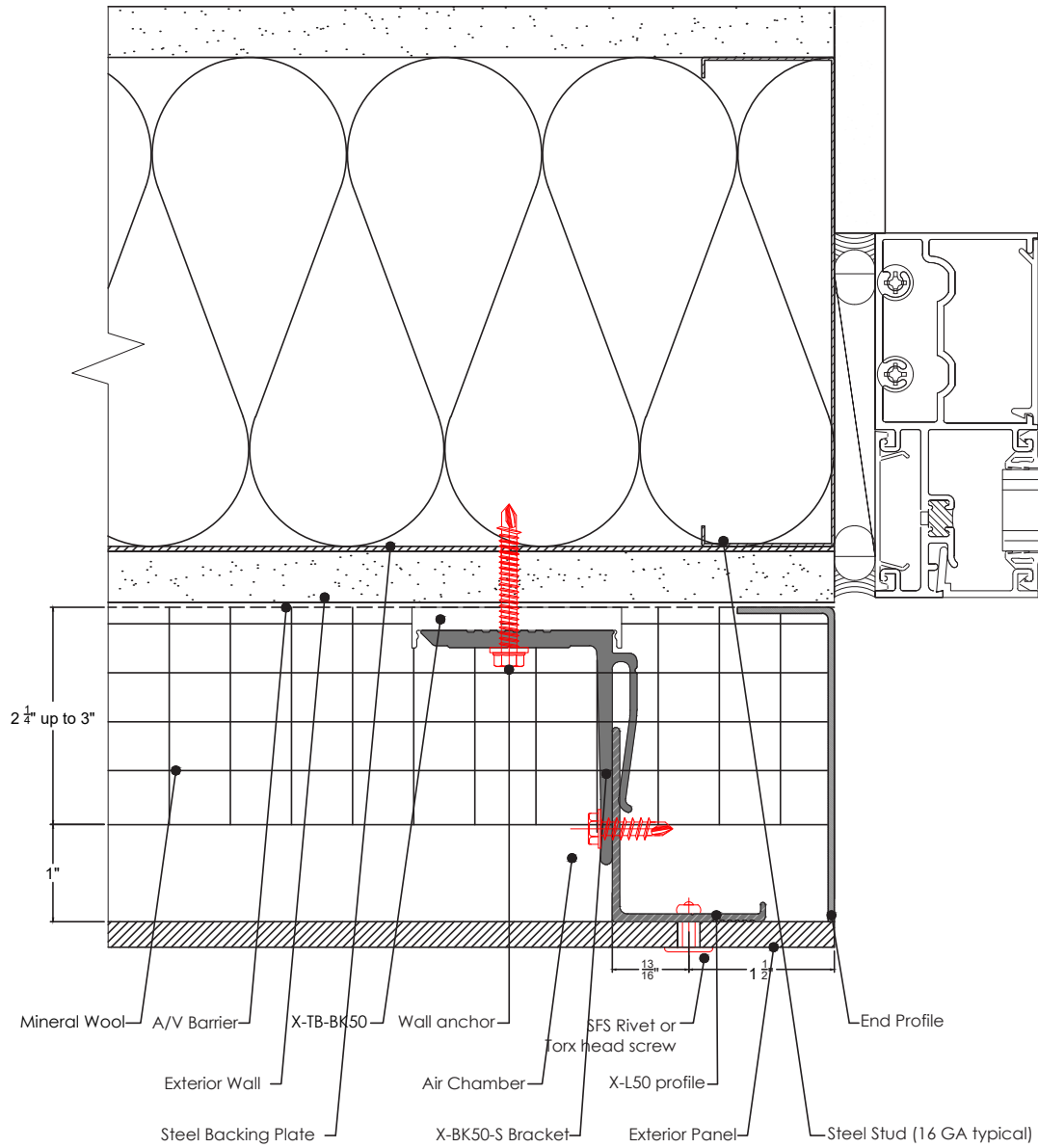
X-BK50

DETAIL:

PLAN VIEW MID PANEL

DETAIL SHEET:

BK50-04



NOTES:

SYSTEM:

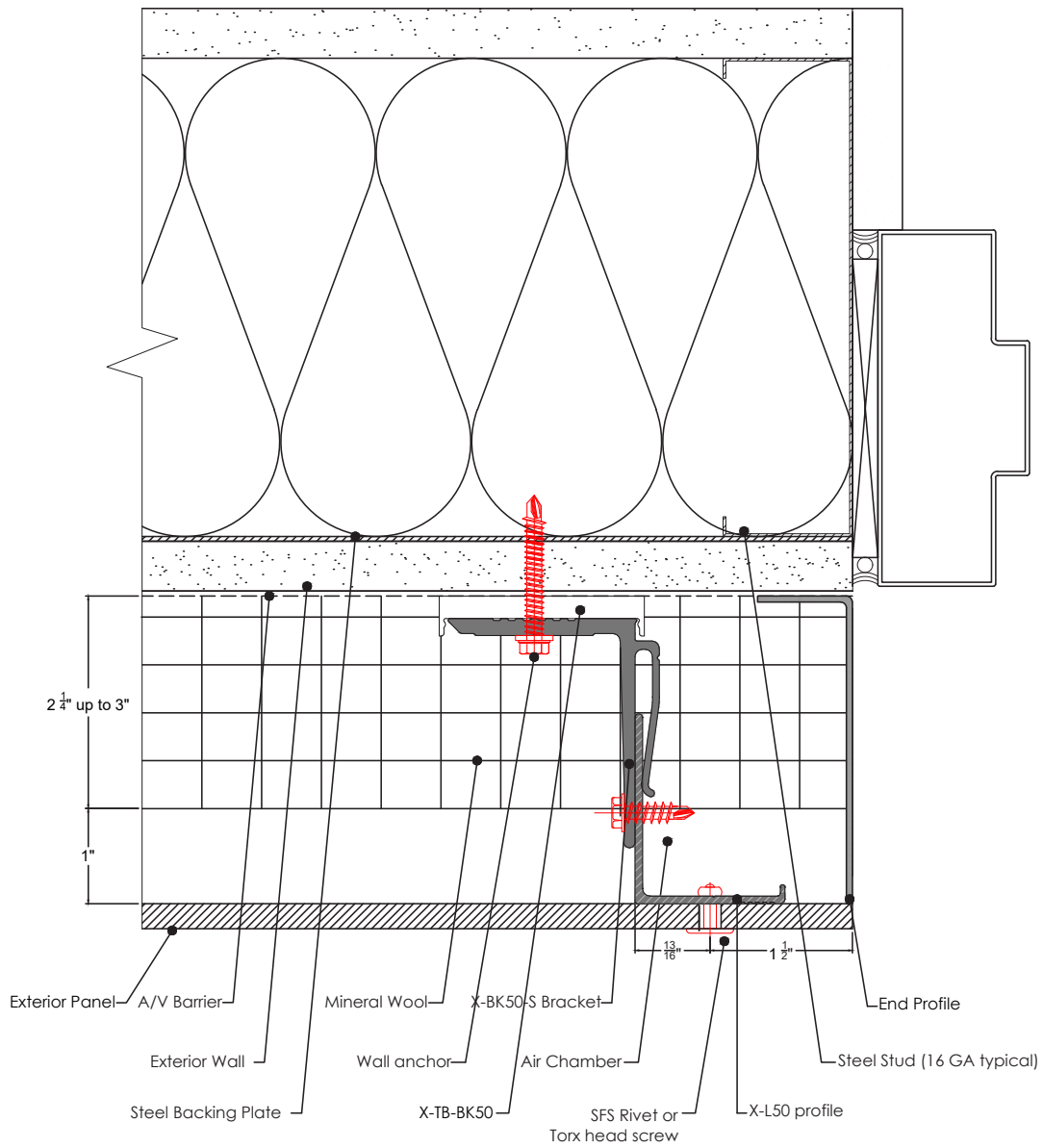
X-BK50

DETAIL:

PLAN VIEW WINDOW JAMB

DETAIL SHEET:

BK50-05



NOTES:

SYSTEM:

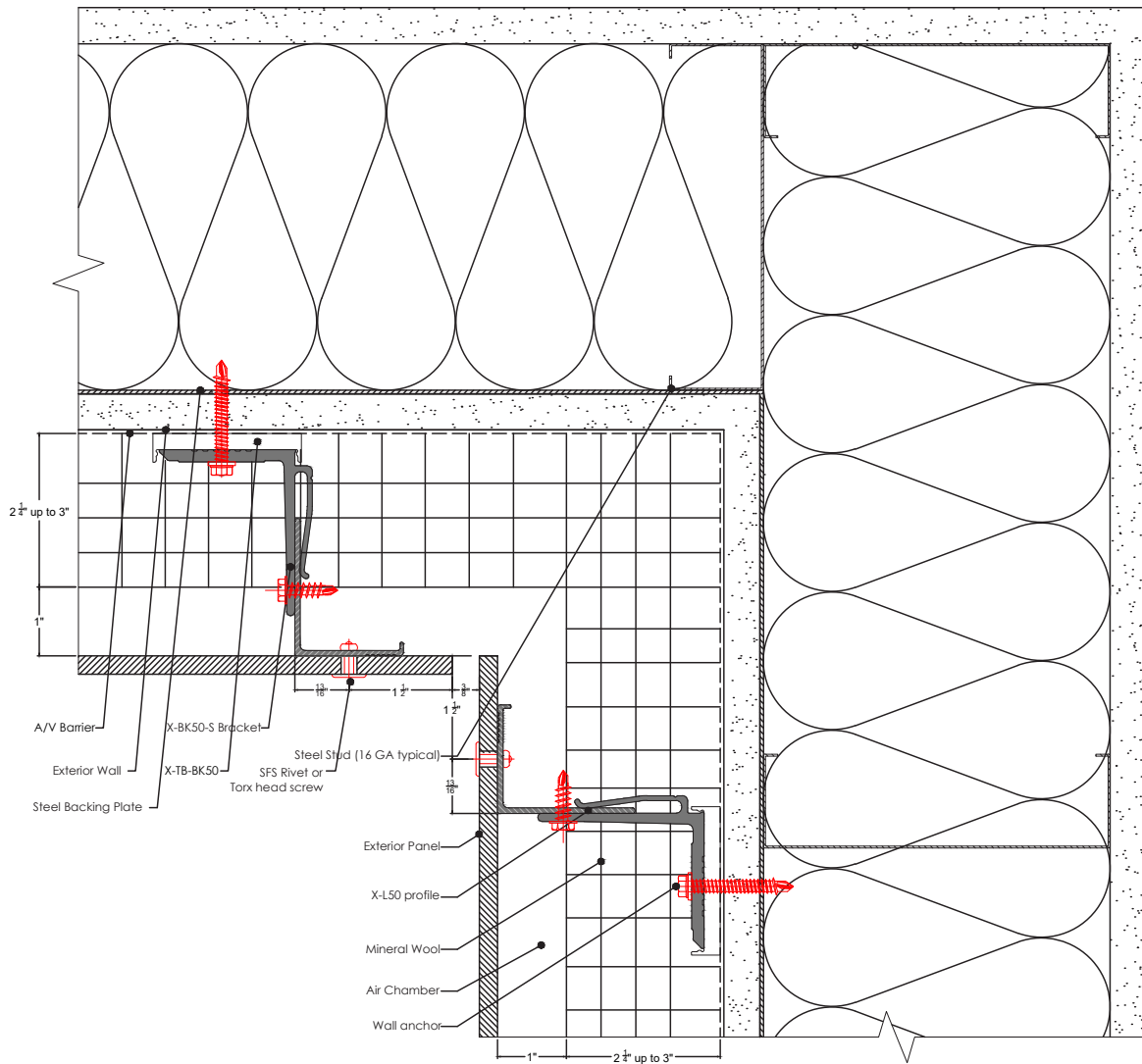
X-BK50

DETAIL:

PLAN VIEW DOOR JAMB

DETAIL SHEET:

BK50-06



NOTES:

SYSTEM:

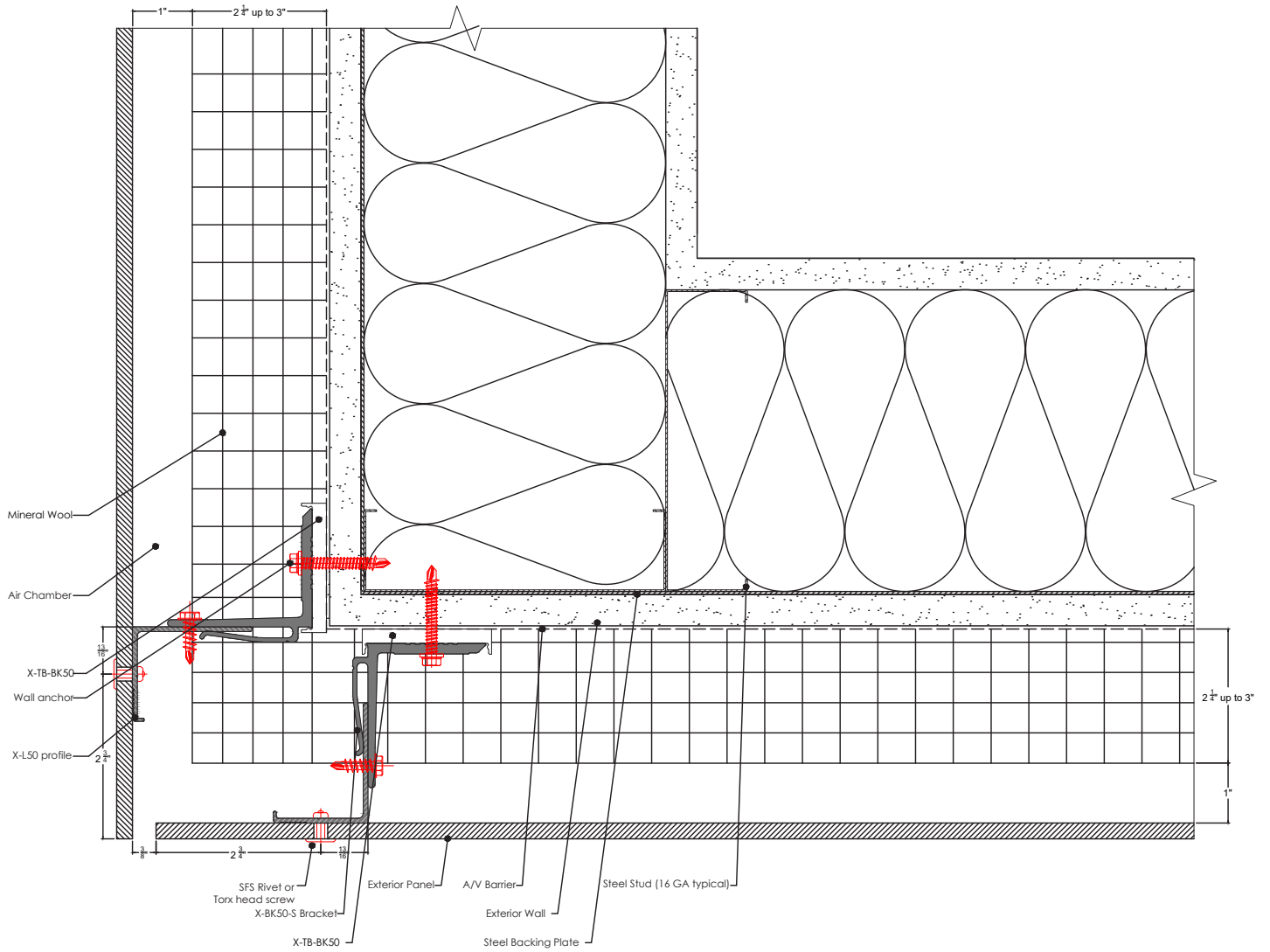
X-BK50

DETAIL:

PLAN VIEW INSIDE CORNER

DETAIL SHEET:

BK50-07



NOTES:

SYSTEM:

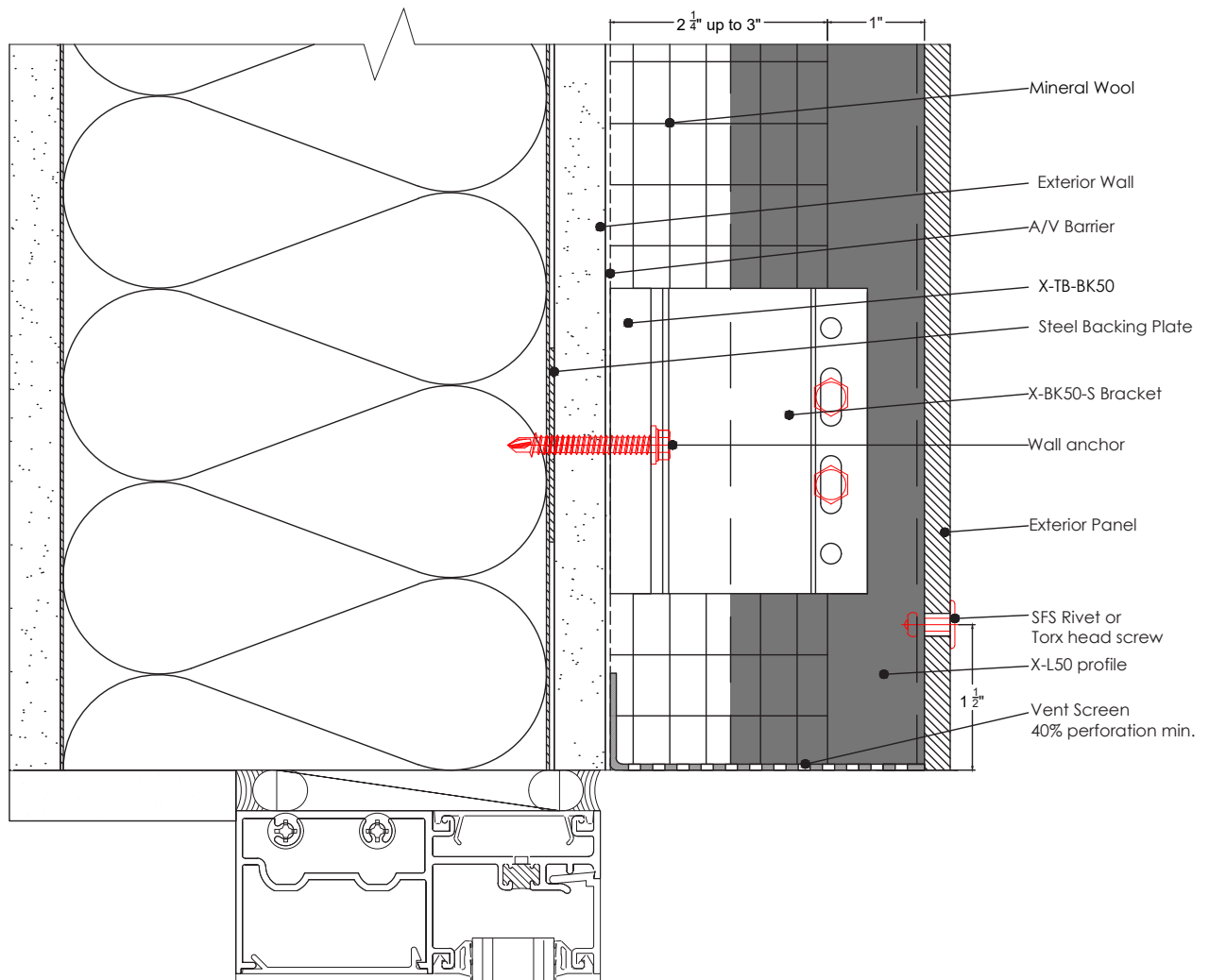
X-BK50

DETAIL:

PLAN VIEW OUTSIDE CORNER

DETAIL SHEET:

BK50-08



NOTES:

SYSTEM:

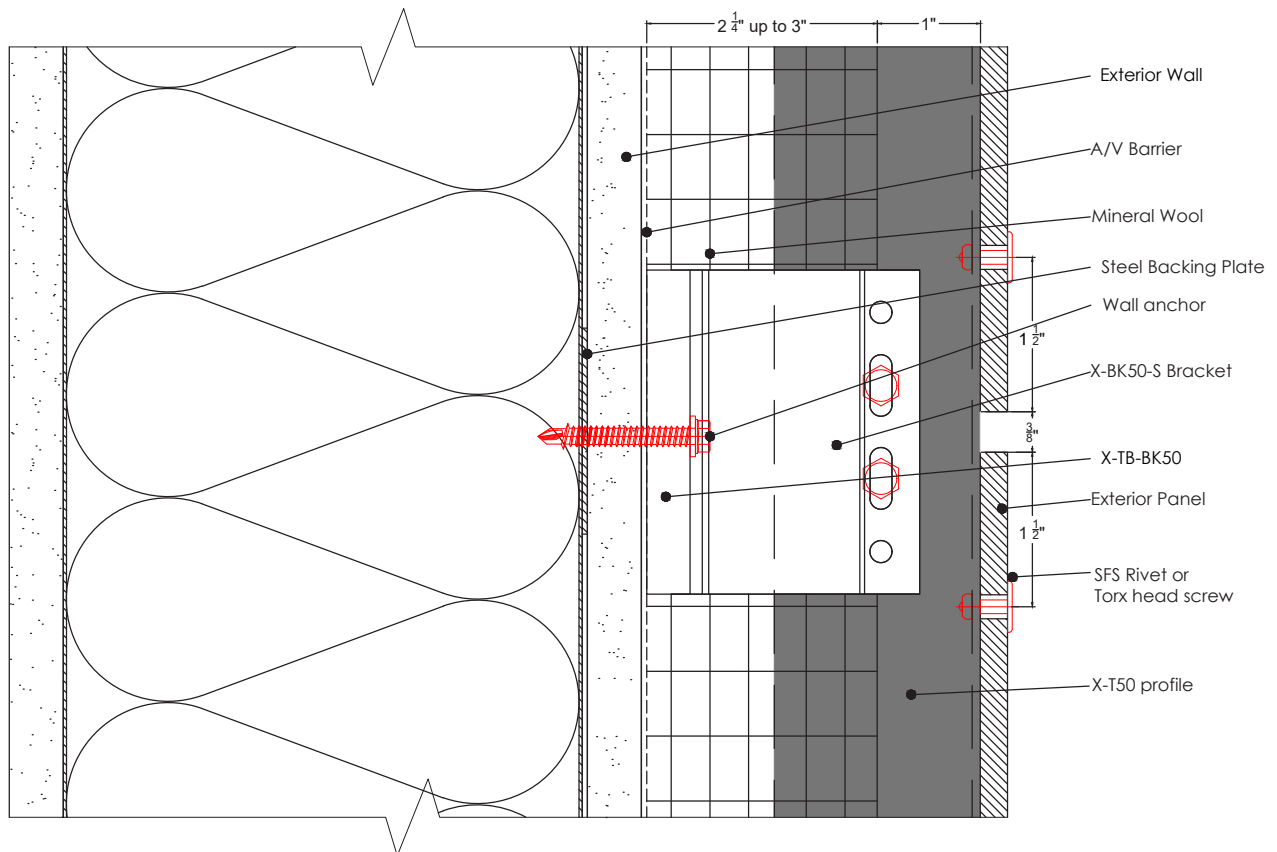
X-BK50

DETAIL:

SECTION WINDOW HEAD

DETAIL SHEET:

BK50-09



NOTES:

SYSTEM:

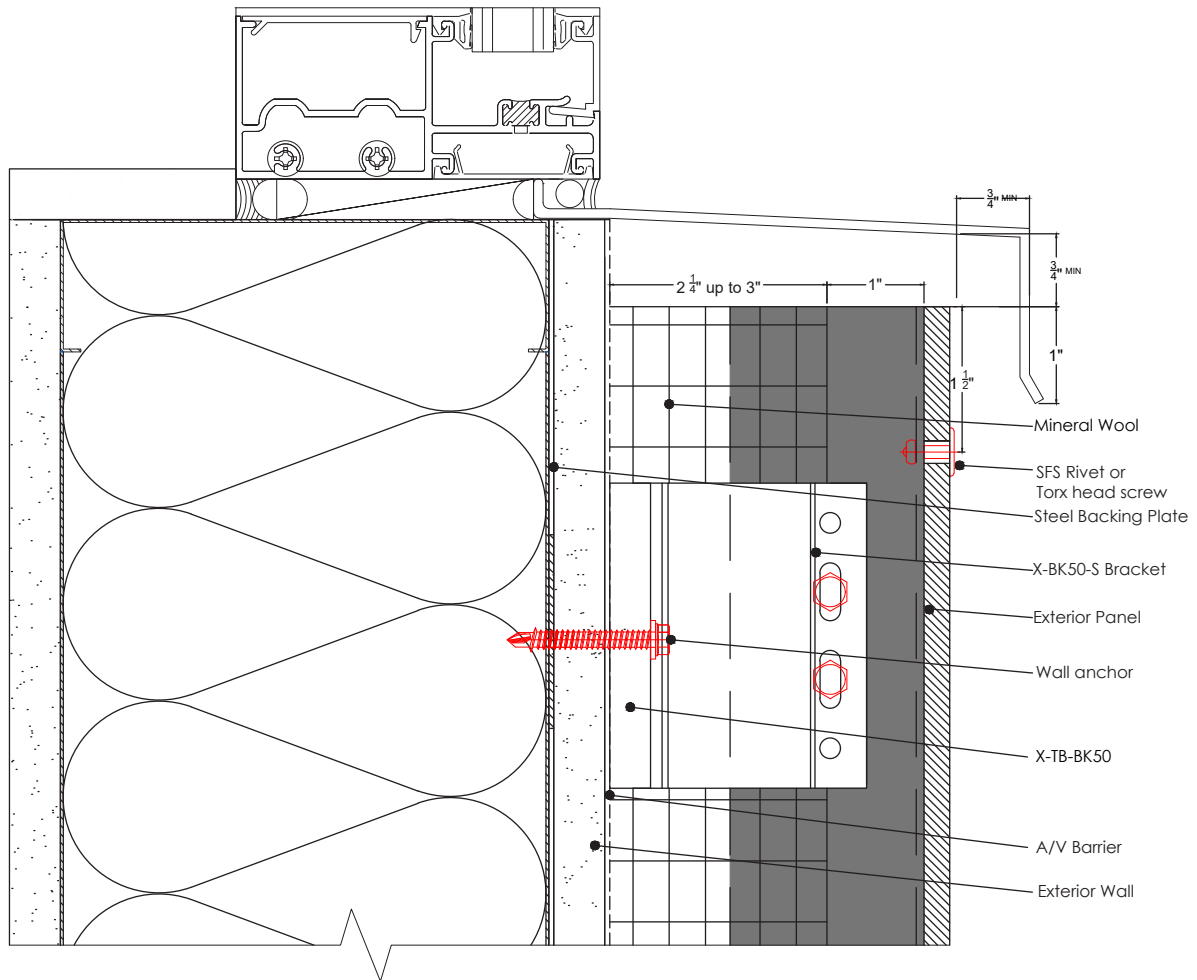
X-BK50

DETAIL:

SECTION HORIZONTAL PANEL JOINT

DETAIL SHEET:

BK50-10



NOTES:

SYSTEM:

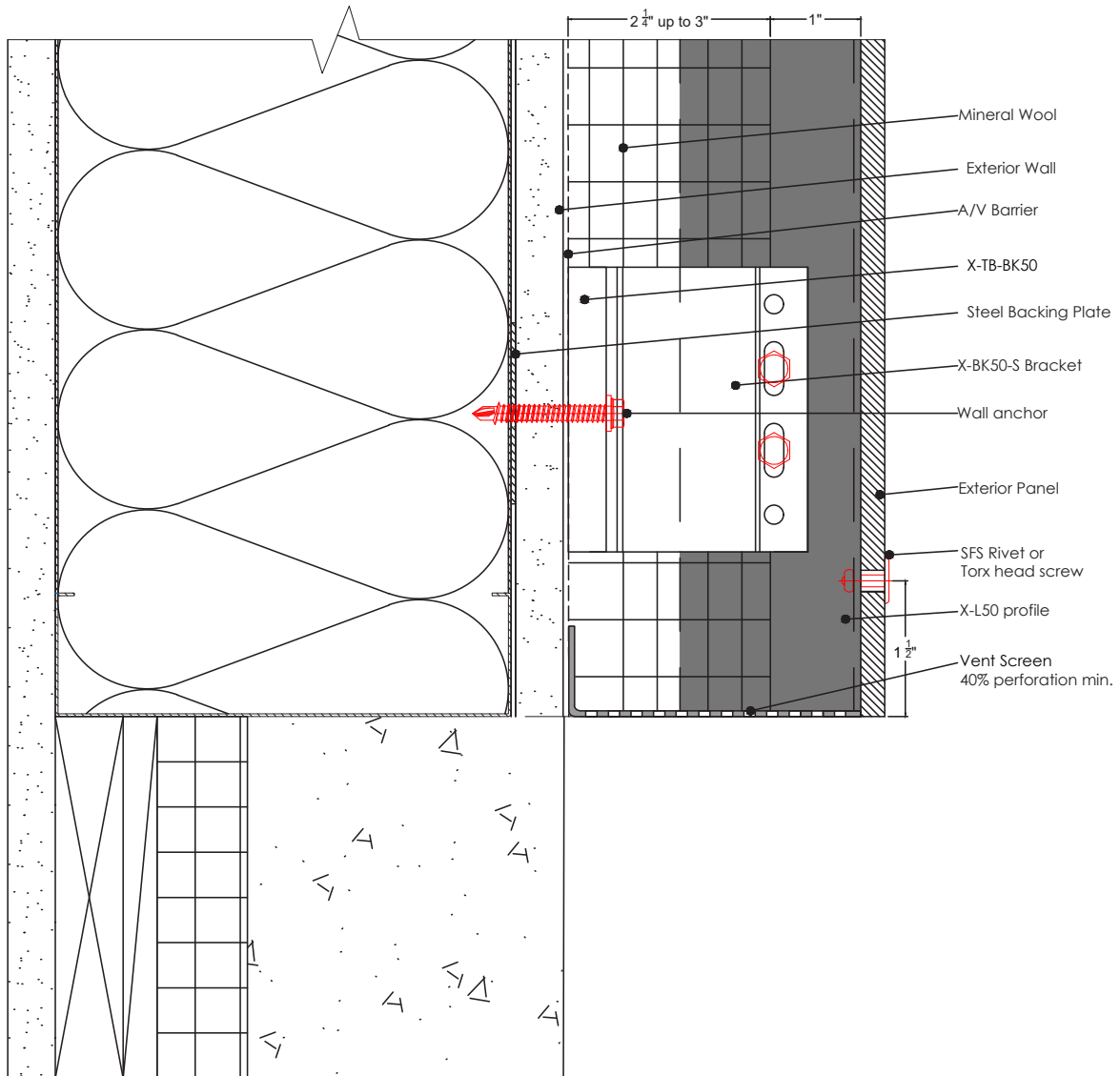
X-BK50

DETAIL:

SECTION WINDOW SILL

DETAIL SHEET:

BK50-11



NOTES:

SYSTEM:

X-BK50

DETAIL:

SECTION BASE DETAIL

DETAIL SHEET:

BK50-12