

**ALUMINIUM SUPPORT SYSTEM FOR
RAINSCREEN CLADDING
XKELEX X-CS19**

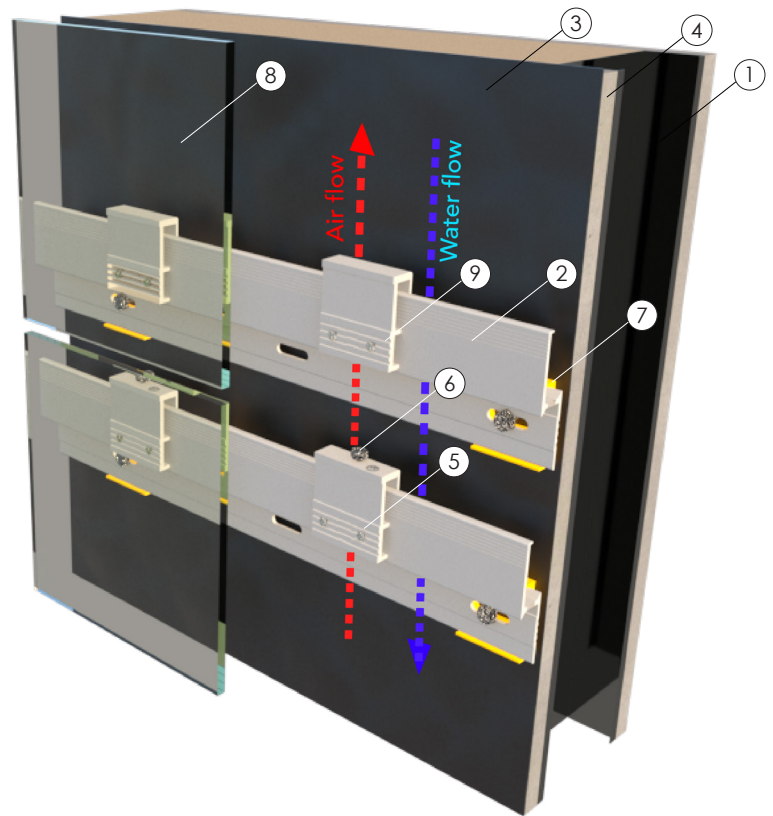


LEGEND

- 1. Steel Stud (16 GA typical)
- 2. X-Z19PF profile
- 3. A/V Barrier
- 4. Exterior Wall
- 5. T U anchor
- 6. Level Screw
- 7. X-TB6 Thermal break pad
- 8. Exterior panel
- 9. Hanger Clip X-CL19-L

CONTENT

- CS19-00 Xkelex System detail sheet
- CS19-01 Profiles
- CS19-02 Building Elevation
- CS19-03 Vertical Panel Joint
- CS19-04 Vertical Mid Panel
- CS19-05 Window Jamb
- CS19-06 Door Jamb
- CS19-07 Inside Corner
- CS19-08 Outside Corner
- CS19-09 Window Head
- CS19-10 Horizontal Panel Joint
- CS19-11 Window Sill
- CS19-12 Base Detail



PATENTS PENDING

All intellectual property rights reserved

NOTES:



SYSTEM:

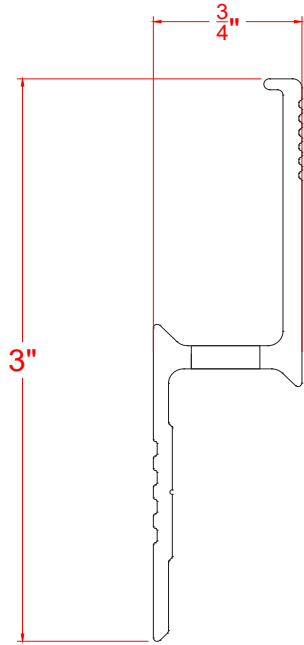
X-CS19

DETAIL:

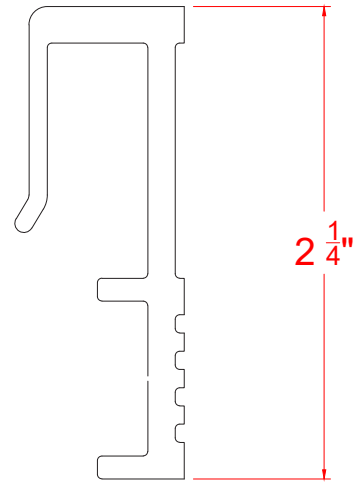
XKELEX SYSTEM

DETAIL SHEET:

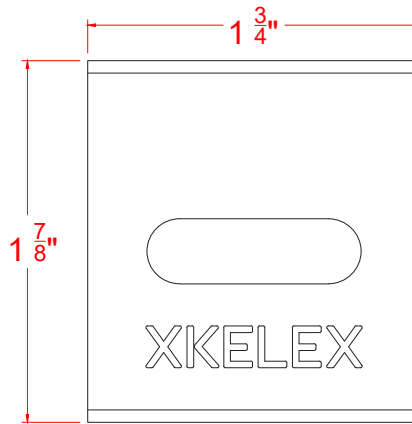
CS19-00



X-Z19PF PROFILE



X-CL19 & X-CL19-L
CLIP



X-TB6

PATENTS PENDING
All intellectual property rights reserved

NOTES:



SYSTEM:

X-CS19

DETAIL:

PROFILES

DETAIL SHEET:

CS19-01



PATENTS PENDING

All intellectual property rights reserved

NOTES:



SYSTEM:

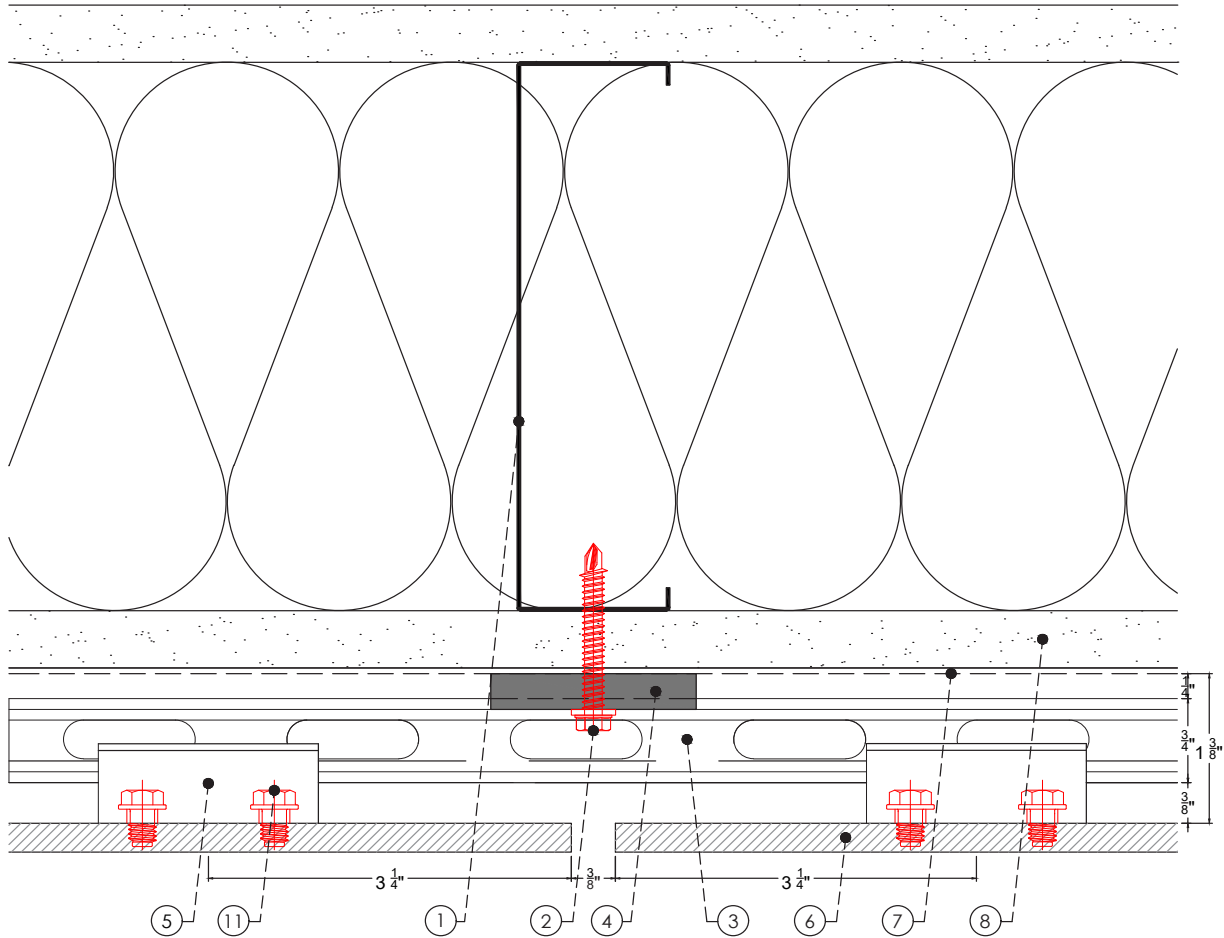
X-CS19

DETAIL:

BUILDING ELEVATION

DETAIL SHEET:

CS19-02



LEGEND

- | | |
|------------------------------|-------------------------------------|
| ① Steel Stud (16 GA typical) | ⑨ End profile |
| ② Wall anchor | ⑩ Vent Screen 40% perf. |
| ③ X-Z19PF profile | ⑪ T U Anchor |
| ④ X-TB6 Thermal break pad | ⑫ Hanger Clip with leveler X-CL19-L |
| ⑤ Hanger Clip X-CL19 | ⑬ Level Screw |
| ⑥ Exterior panel 10-13mm | ⑭ Rail anchor |
| ⑦ A/V Barrier | |
| ⑧ Exterior Wall | |

PATENTS PENDING
All intellectual property rights reserved

NOTES:



SYSTEM:

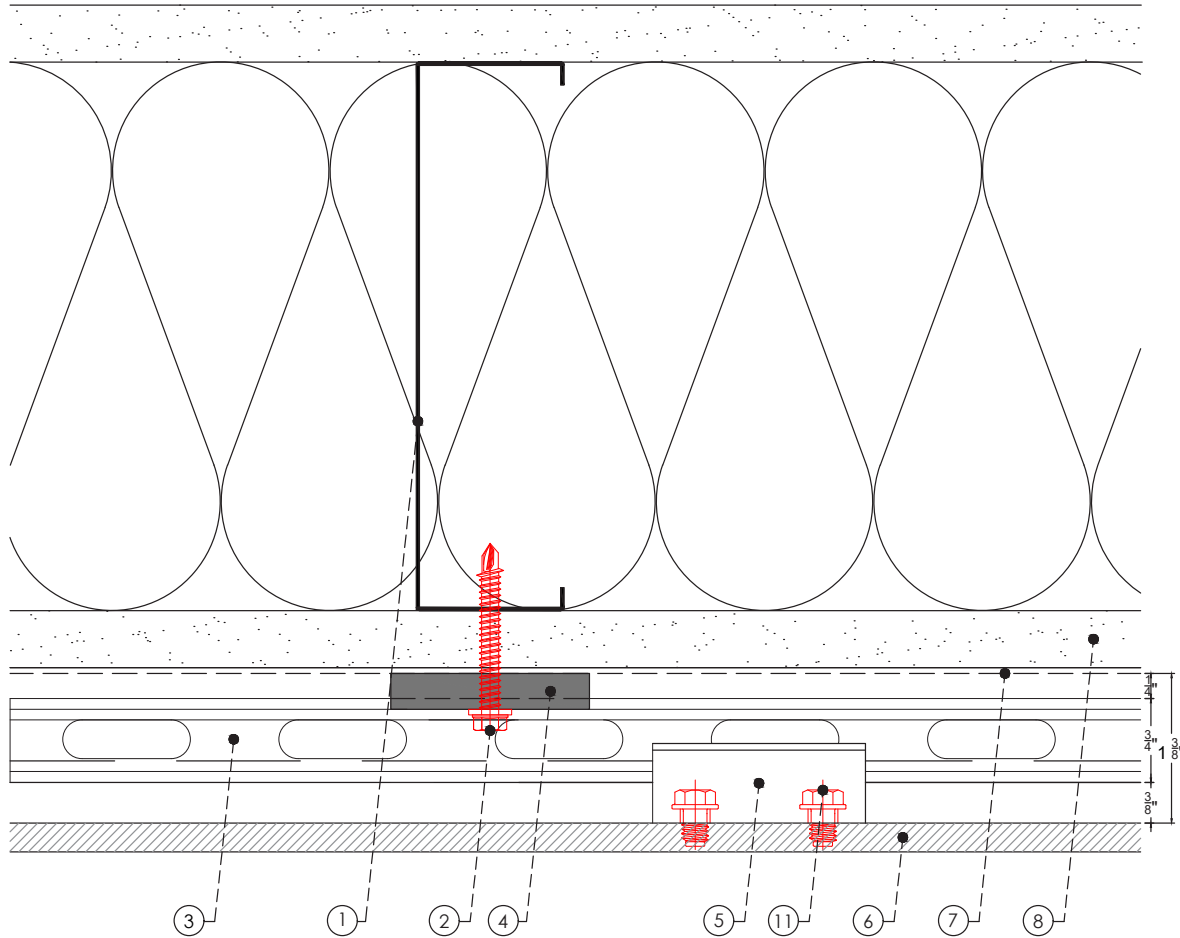
X-CS19

DETAIL:

PLAN VIEW VERTICAL PANEL JOINT

DETAIL SHEET:

CS19-03



LEGEND

- | | |
|------------------------------|-------------------------------------|
| ① Steel Stud (16 GA typical) | ⑨ End profile |
| ② Wall anchor | ⑩ Vent Screen 40% perf. |
| ③ X-Z19PF profile | ⑪ T U Anchor |
| ④ X-TB6 Thermal break pad | ⑫ Hanger Clip with leveler X-CL19-L |
| ⑤ Hanger Clip X-CL19 | ⑬ Level Screw |
| ⑥ Exterior panel 10-13mm | ⑭ Rail anchor |
| ⑦ A/V Barrier | |
| ⑧ Exterior Wall | |

PATENTS PENDING
All intellectual property rights reserved

NOTES:



SYSTEM:

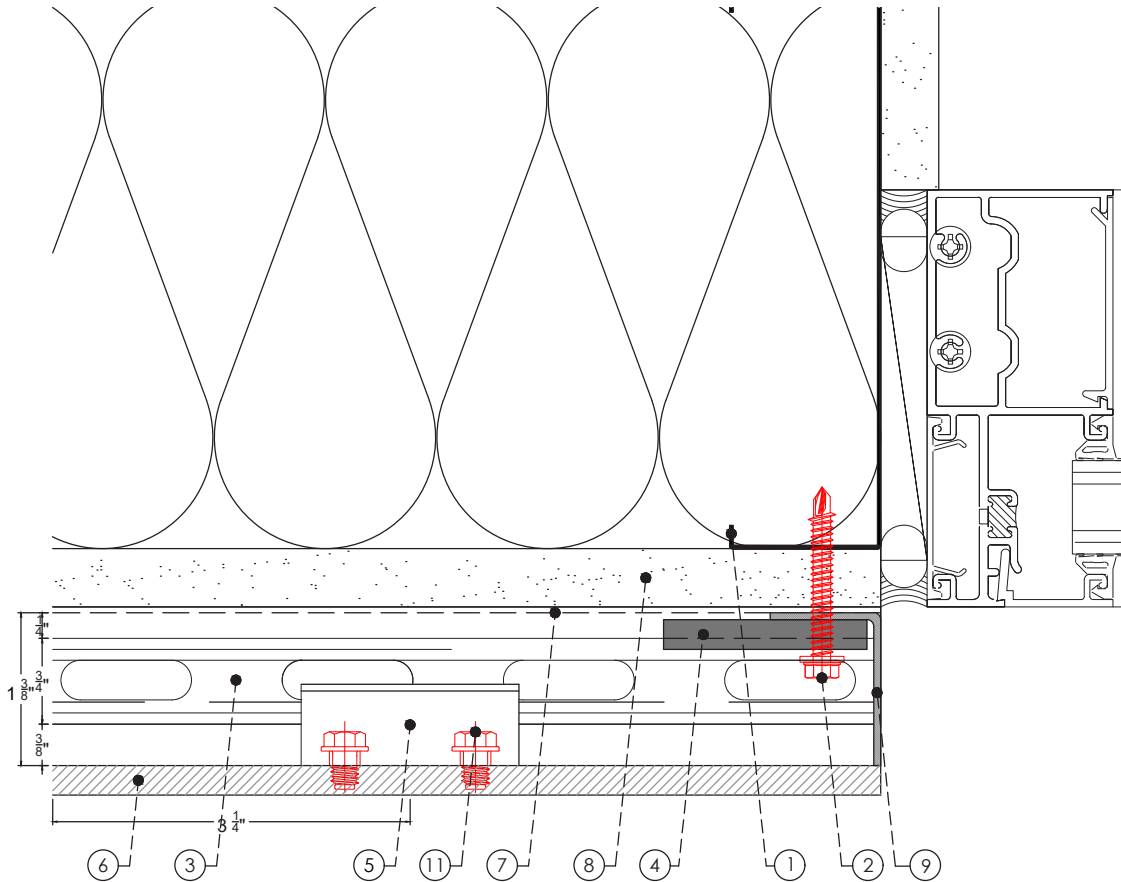
X-V25

DETAIL:

PLAN VIEW MID PANEL

DETAIL SHEET:

CS19-04



LEGEND

- | | |
|------------------------------|-------------------------------------|
| ① Steel Stud (16 GA typical) | ⑨ End profile |
| ② Wall anchor | ⑩ Vent Screen 40% perf. |
| ③ X-Z19PF profile | ⑪ T U Anchor |
| ④ X-TB6 Thermal break pad | ⑫ Hanger Clip with leveler X-CL19-L |
| ⑤ Hanger Clip X-CL19 | ⑬ Level Screw |
| ⑥ Exterior panel 10-13mm | ⑭ Rail anchor |
| ⑦ A/V Barrier | |
| ⑧ Exterior Wall | |

PATENTS PENDING
All intellectual property rights reserved

NOTES:



SYSTEM:

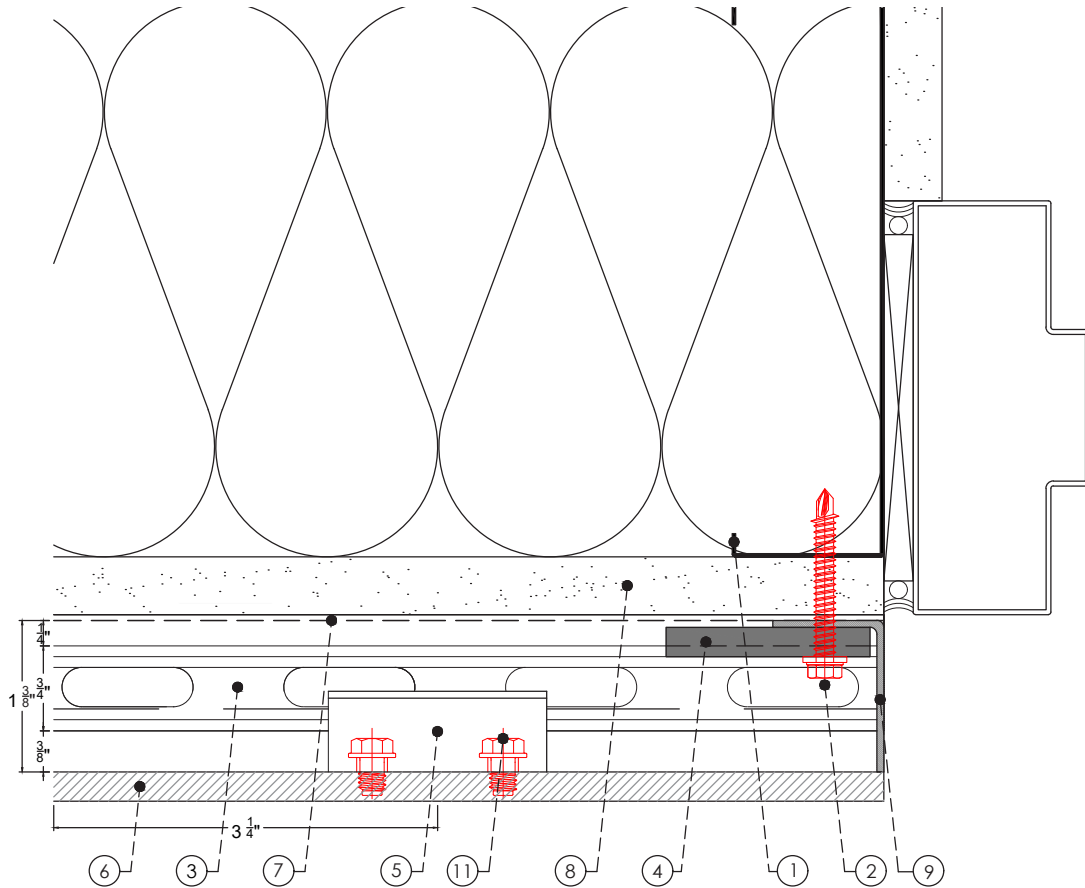
X-CS19

DETAIL:

PLAN VIEW WINDOW JAMB

DETAIL SHEET:

CS19-05



LEGEND

- | | |
|------------------------------|-------------------------------------|
| ① Steel Stud (16 GA typical) | ⑨ End profile |
| ② Wall anchor | ⑩ Vent Screen 40% perf. |
| ③ X-Z19PF profile | ⑪ T U Anchor |
| ④ X-TB6 Thermal break pad | ⑫ Hanger Clip with leveler X-CL19-L |
| ⑤ Hanger Clip X-CL19 | ⑬ Level Screw |
| ⑥ Exterior panel 10-13mm | ⑭ Rail anchor |
| ⑦ A/V Barrier | |
| ⑧ Exterior Wall | |

PATENTS PENDING
All intellectual property rights reserved

NOTES:



SYSTEM:

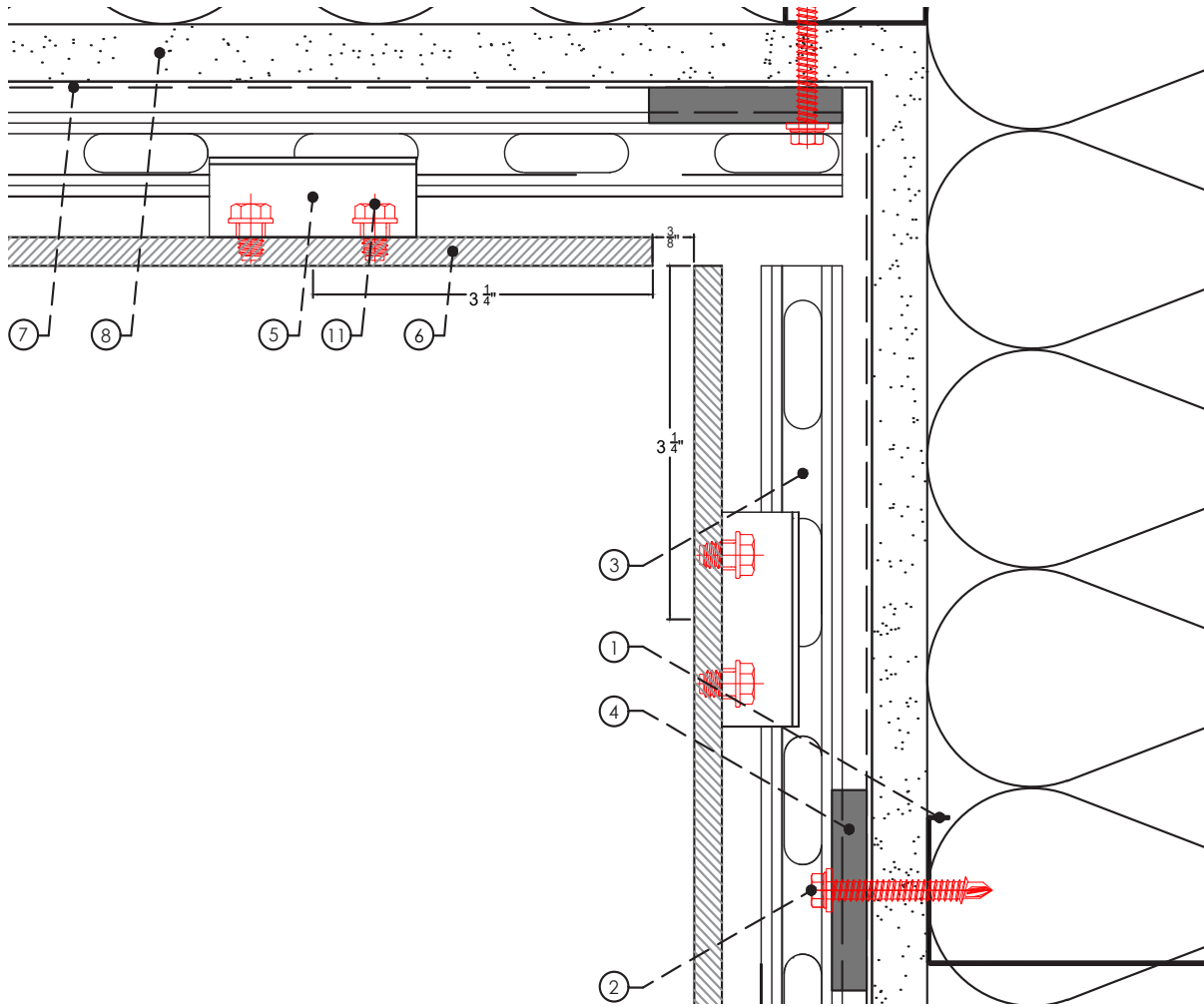
X-CS19

DETAIL:

PLAN VIEW DOOR JAMB

DETAIL SHEET:

CS19-06



LEGEND

- | | |
|------------------------------|-------------------------------------|
| ① Steel Stud (16 GA typical) | ⑨ End profile |
| ② Wall anchor | ⑩ Vent Screen 40% perf. |
| ③ X-Z19PF profile | ⑪ T U Anchor |
| ④ X-TB6 Thermal break pad | ⑫ Hanger Clip with leveler X-CL19-L |
| ⑤ Hanger Clip X-CL19 | ⑬ Level Screw |
| ⑥ Exterior panel 10-13mm | ⑭ Rail anchor |
| ⑦ A/V Barrier | |
| ⑧ Exterior Wall | |

PATENTS PENDING
All intellectual property rights reserved

NOTES:



SYSTEM:

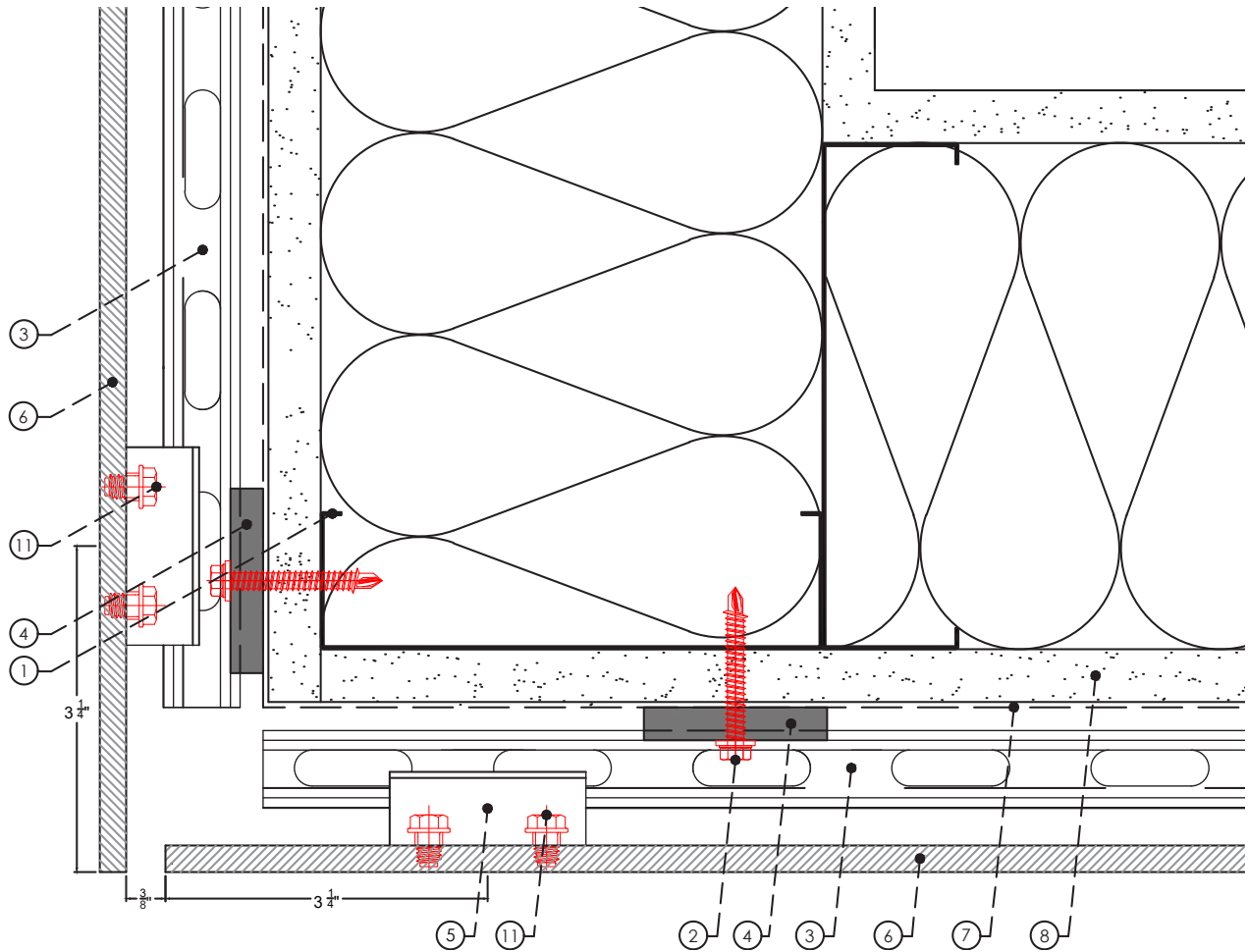
X-CS19

DETAIL:

PLAN VIEW INSIDE CORNER

DETAIL SHEET:

CS19-07



LEGEND

- | | |
|------------------------------|-------------------------------------|
| ① Steel Stud (16 GA typical) | ⑨ End profile |
| ② Wall anchor | ⑩ Vent Screen 40% perf. |
| ③ X-Z19PF profile | ⑪ T U Anchor |
| ④ X-TB6 Thermal break pad | ⑫ Hanger Clip with leveler X-CL19-L |
| ⑤ Hanger Clip X-CL19 | ⑬ Level Screw |
| ⑥ Exterior panel 10-13mm | ⑭ Rail anchor |
| ⑦ A/V Barrier | |
| ⑧ Exterior Wall | |

PATENTS PENDING
All intellectual property rights reserved

NOTES:



SYSTEM:

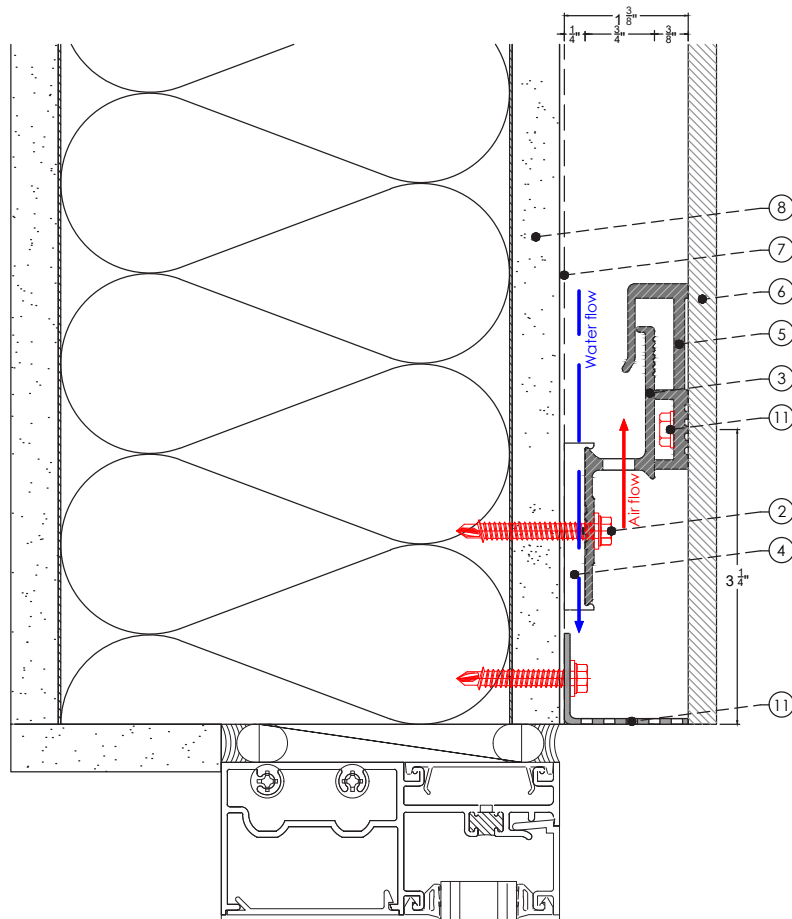
X-CS19

DETAIL:

PLAN VIEW OUTSIDE CORNER

DETAIL SHEET:

CS19-08



LEGEND

- | | |
|------------------------------|-------------------------------------|
| ① Steel Stud (16 GA typical) | ⑨ End profile |
| ② Wall anchor | ⑩ Vent Screen 40% perf. |
| ③ X-Z19PF profile | ⑪ T U Anchor |
| ④ X-TB6 Thermal break pad | ⑫ Hanger Clip with leveler X-CL19-L |
| ⑤ Hanger Clip X-CL19 | ⑬ Level Screw |
| ⑥ Exterior panel 10-13mm | ⑭ Rail anchor |
| ⑦ A/V Barrier | |
| ⑧ Exterior Wall | |

PATENTS PENDING
All intellectual property rights reserved

NOTES:



SYSTEM:

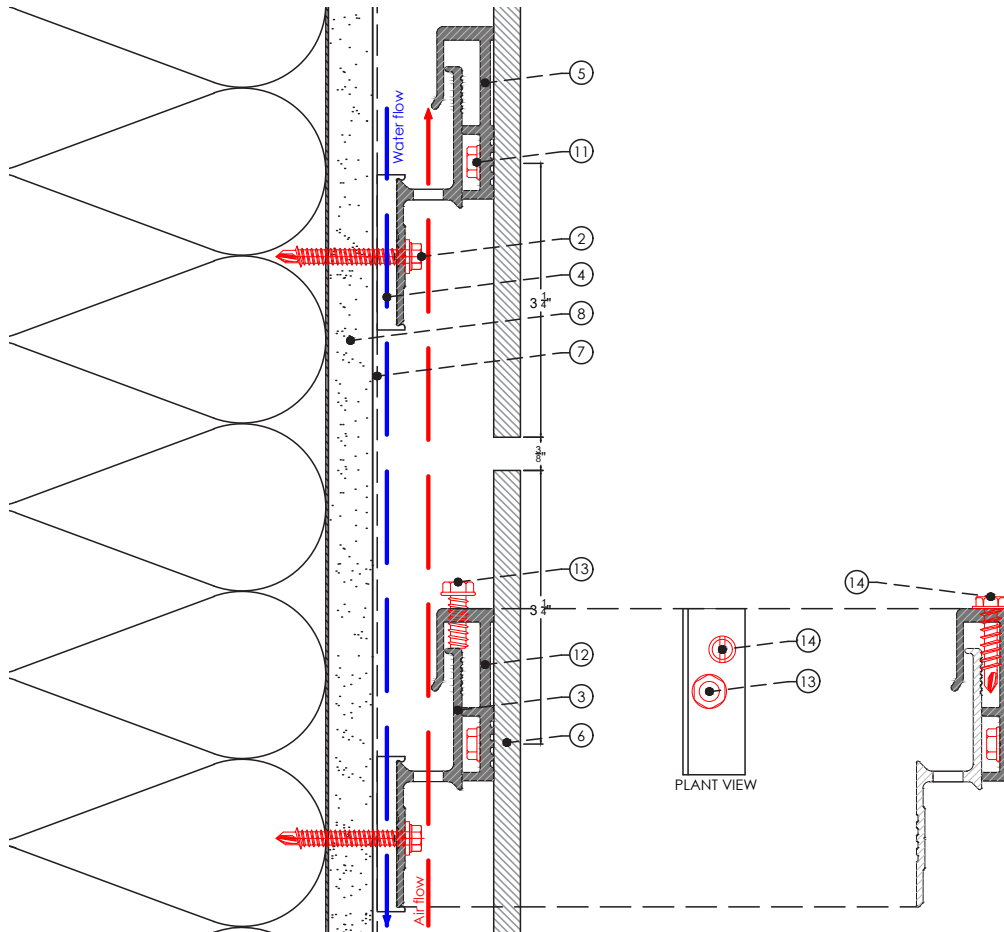
X-CS19

DETAIL:

SECTION WINDOW HEAD

DETAIL SHEET:

CS19-09



LEGEND

- | | |
|------------------------------|-------------------------------------|
| ① Steel Stud (16 GA typical) | ⑨ End profile |
| ② Wall anchor | ⑩ Vent Screen 40% perf. |
| ③ X-Z19PF profile | ⑪ T U Anchor |
| ④ X-TB6 Thermal break pad | ⑫ Hanger Clip with leveler X-CL19-L |
| ⑤ Hanger Clip X-CL19 | ⑬ Level Screw |
| ⑥ Exterior panel 10-13mm | ⑭ Rail anchor |
| ⑦ A/V Barrier | |
| ⑧ Exterior Wall | |

PATENTS PENDING
All intellectual property rights reserved

NOTES:



SYSTEM:

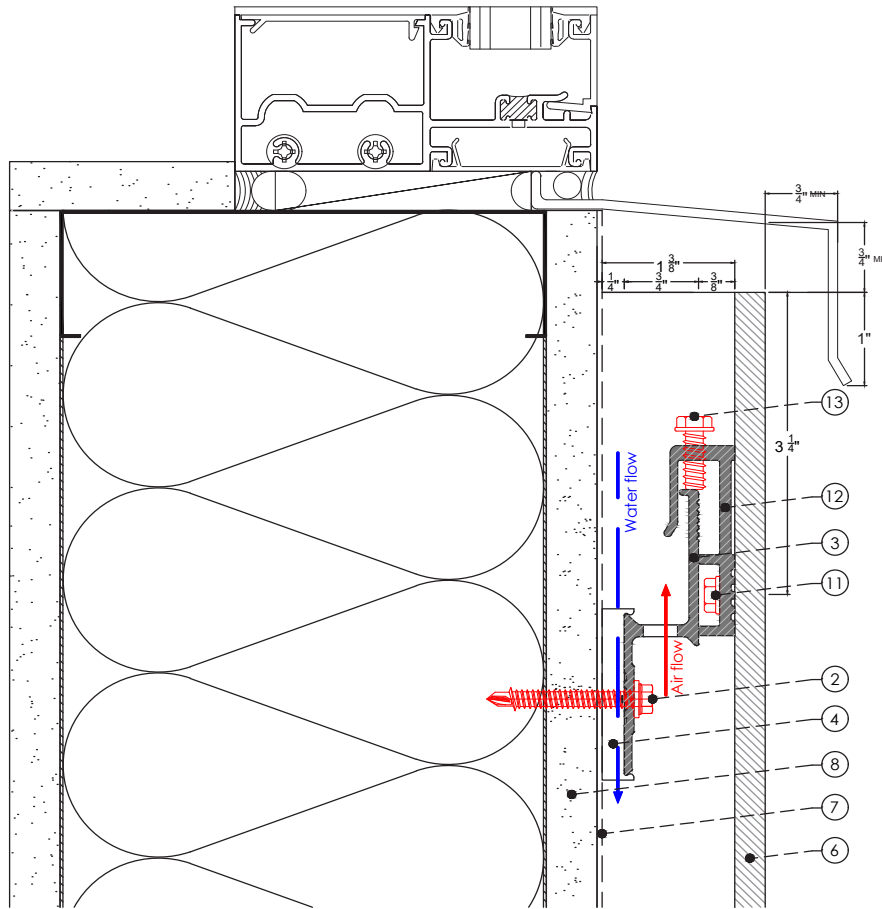
X-CS19

DETAIL:

SECTION HORIZONTAL PANEL JOINT

DETAIL SHEET:

CS19-10



LEGEND

- | | |
|------------------------------|-------------------------------------|
| ① Steel Stud (16 GA typical) | ⑨ End profile |
| ② Wall anchor | ⑩ Vent Screen 40% perf. |
| ③ X-Z19PF profile | ⑪ T U Anchor |
| ④ X-TB6 Thermal break pad | ⑫ Hanger Clip with leveler X-CL19-L |
| ⑤ Hanger Clip X-CL19 | ⑬ Level Screw |
| ⑥ Exterior panel 10-13mm | ⑭ Rail anchor |
| ⑦ A/V Barrier | |
| ⑧ Exterior Wall | |

PATENTS PENDING
All intellectual property rights reserved

NOTES:



SYSTEM:

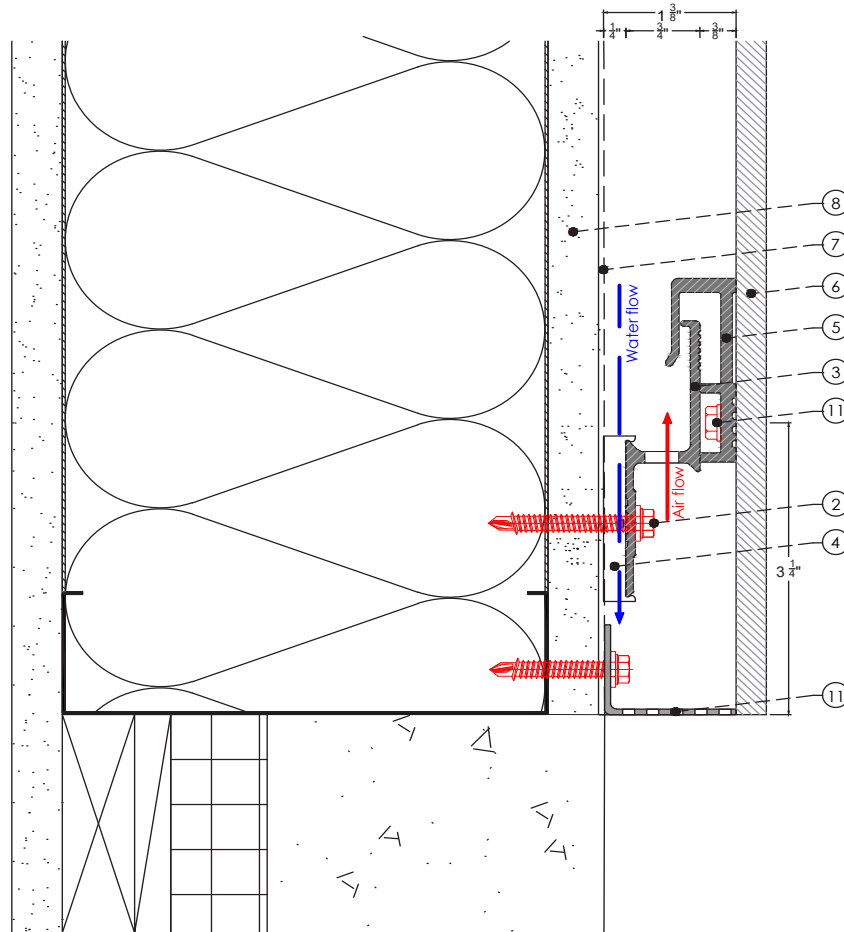
X-CS19

DETAIL:

SECTION WINDOW SILL

DETAIL SHEET:

CS19-11



LEGEND

- | | |
|------------------------------|-------------------------------------|
| ① Steel Stud (16 GA typical) | ⑨ End profile |
| ② Wall anchor | ⑩ Vent Screen 40% perf. |
| ③ X-Z19PF profile | ⑪ T U Anchor |
| ④ X-TB6 Thermal break pad | ⑫ Hanger Clip with leveler X-CL19-L |
| ⑤ Hanger Clip X-CL19 | ⑬ Level Screw |
| ⑥ Exterior panel 10-13mm | ⑭ Rail anchor |
| ⑦ A/V Barrier | |
| ⑧ Exterior Wall | |

PATENTS PENDING
All intellectual property rights reserved

NOTES:



SYSTEM:

X-CS19

DETAIL:

SECTION BASE DETAIL

DETAIL SHEET:

CS19-12