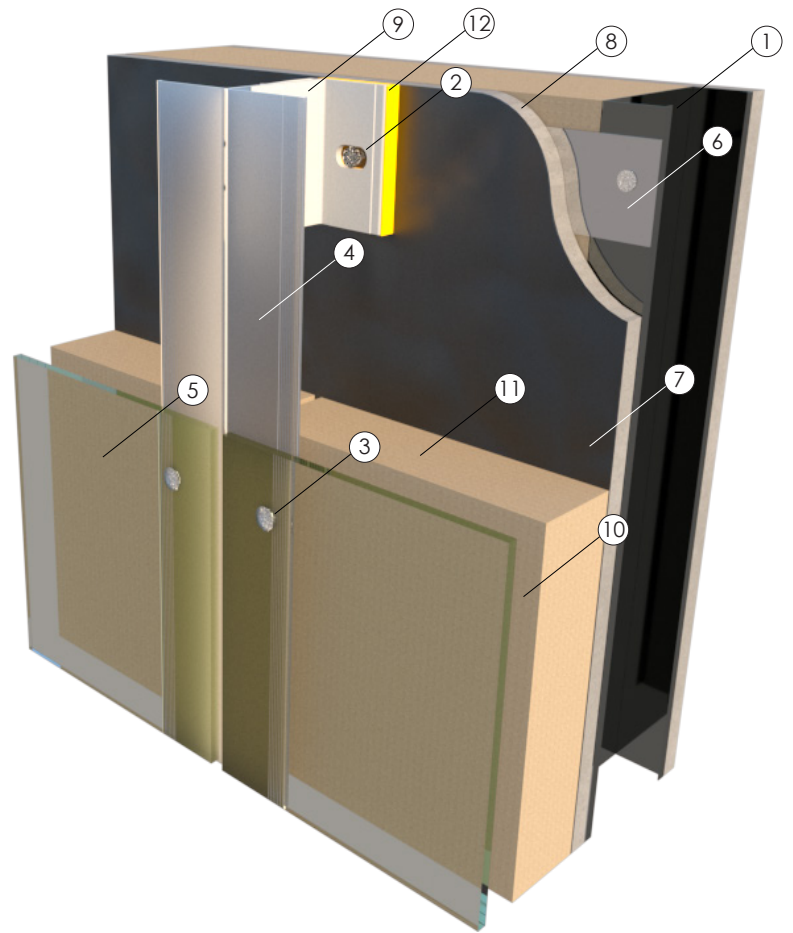


**ALUMINIUM SUPPORT SYSTEM FOR
RAINSCREEN CLADDING
XKELEX X-BK-V50**



LEGEND

- 1. Steel Stud (16 GA typical)
- 2. Wall anchor
- 3. SFS Rivet or Torx head screw
- 4. X-T50 profile
- 5. Exterior panel
- 6. Steel Backing Plate
- 7. A/V Barrier
- 8. Exterior Wall
- 9. X-BK50 Bracket
- 10. Air chamber
- 11. Mineral Wool
- 12. X-TB-BK50 Thermal break pad



CONTENT

- BK-V50-00 Xkelex System detail sheet
- BK-V50-01 Profiles
- BK-V50-02 Building Elevation
- BK-V50-03 Vertical Panel Joint
- BK-V50-04 Vertical Mid Panel
- BK-V50-05 Window Jamb
- BK-V50-06 Door Jamb
- BK-V50-07 Inside Corner
- BK-V50-08 Outside Corner
- BK-V50-09 Window Head
- BK-V50-10 Horizontal Panel Joint
- BK-V50-11 Window Sill
- BK-V50-12 Base Detail

NOTES:



SYSTEM:

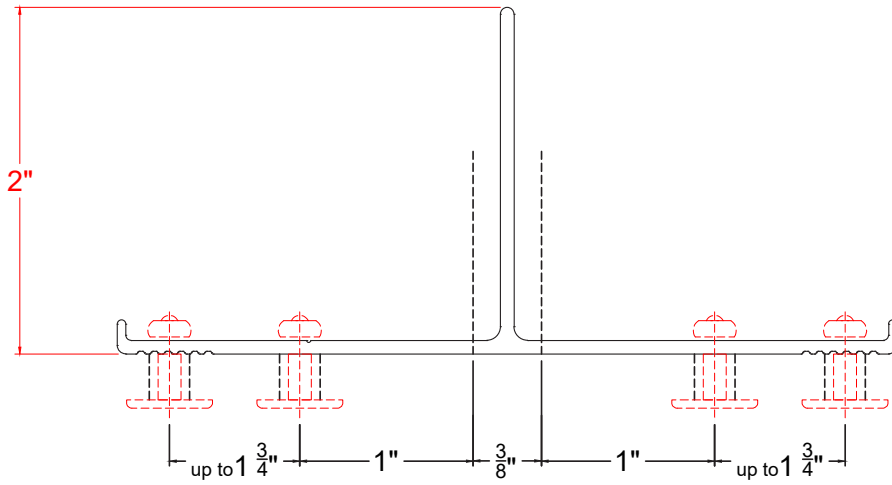
X-BK-V50

DETAIL:

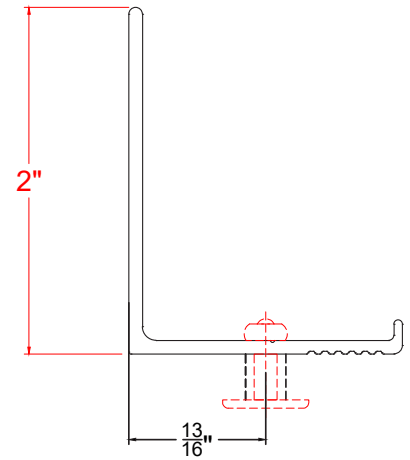
XKELEX SYSTEM

DETAIL SHEET:

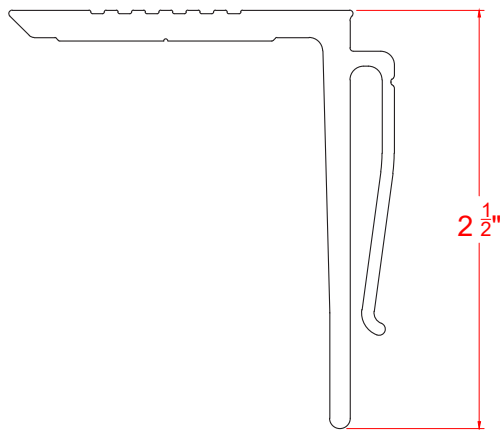
BK-V50-00



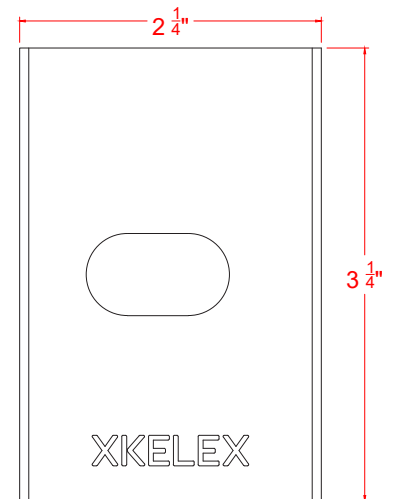
X-T50 PROFILE



X-L50 PROFILE



X-BK50 BRACKET



X-TB-BK50

NOTES:



SYSTEM:

X-BK-V50

DETAIL:

PROFILES

DETAIL SHEET:

BK-V50-01



NOTES:



SYSTEM:

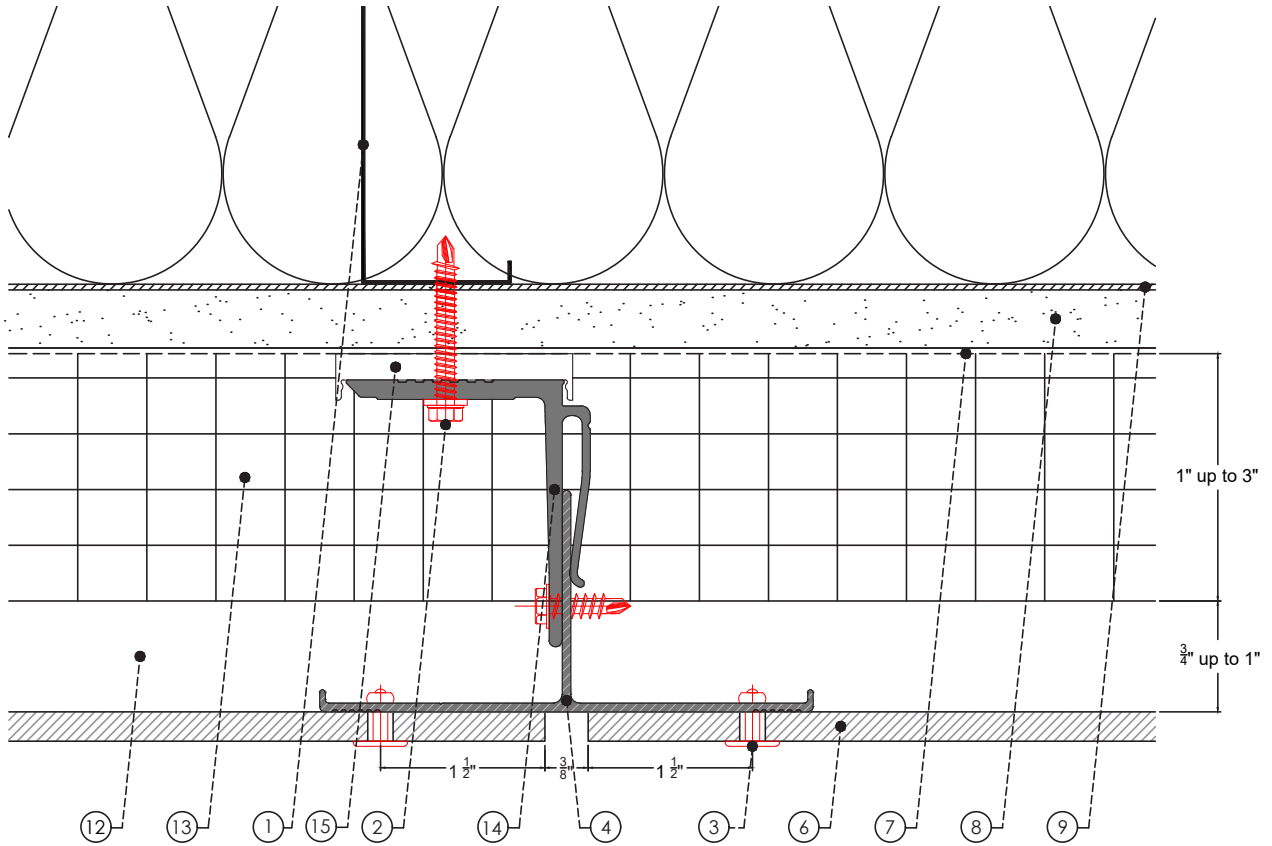
X-BK-V50

DETAIL:

BUILDING ELEVATION

DETAIL SHEET:

BK-V50-02



LEGEND

- | | |
|--------------------------------|-----------------------------------|
| ① Steel Stud (16 GA typical) | ⑨ Steel Backing Plate as required |
| ② Wall anchor | ⑩ End profile |
| ③ SFS Rivet or Torx head screw | ⑪ Vent Screen 40% perf. |
| ④ X-T50 profile | ⑫ Air Chamber |
| ⑤ X-L50 profile | ⑬ Mineral Wool |
| ⑥ Exterior panel 8-10mm | ⑭ X-BK50 Bracket |
| ⑦ A/V Barrier | ⑮ X-TB-BK50 Thermal break pad |
| ⑧ Exterior Wall | |

NOTES:



SYSTEM:

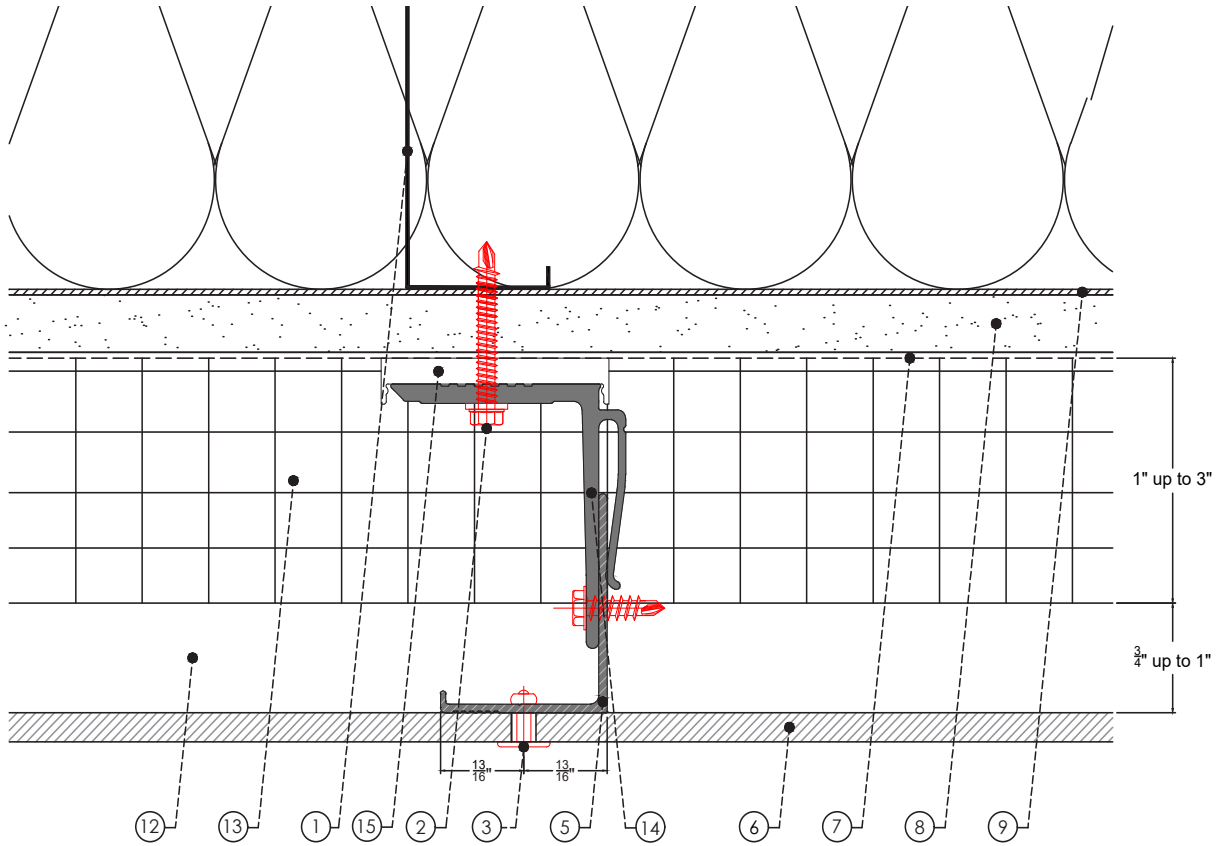
X-BK-V50

DETAIL:

PLAN VIEW VERTICAL PANEL JOINT

DETAIL SHEET:

BK-V50-03



LEGEND

- | | |
|--------------------------------|-----------------------------------|
| ① Steel Stud (16 GA typical) | ⑨ Steel Backing Plate as required |
| ② Wall anchor | ⑩ End profile |
| ③ SFS Rivet or Torx head screw | ⑪ Vent Screen 40% perf. |
| ④ X-T50 profile | ⑫ Air Chamber |
| ⑤ X-L50 profile | ⑬ Mineral Wool |
| ⑥ Exterior panel 8-10mm | ⑭ X-BK50 Bracket |
| ⑦ A/V Barrier | ⑮ X-TB-BK50 Thermal break pad |
| ⑧ Exterior Wall | |

NOTES:



SYSTEM:

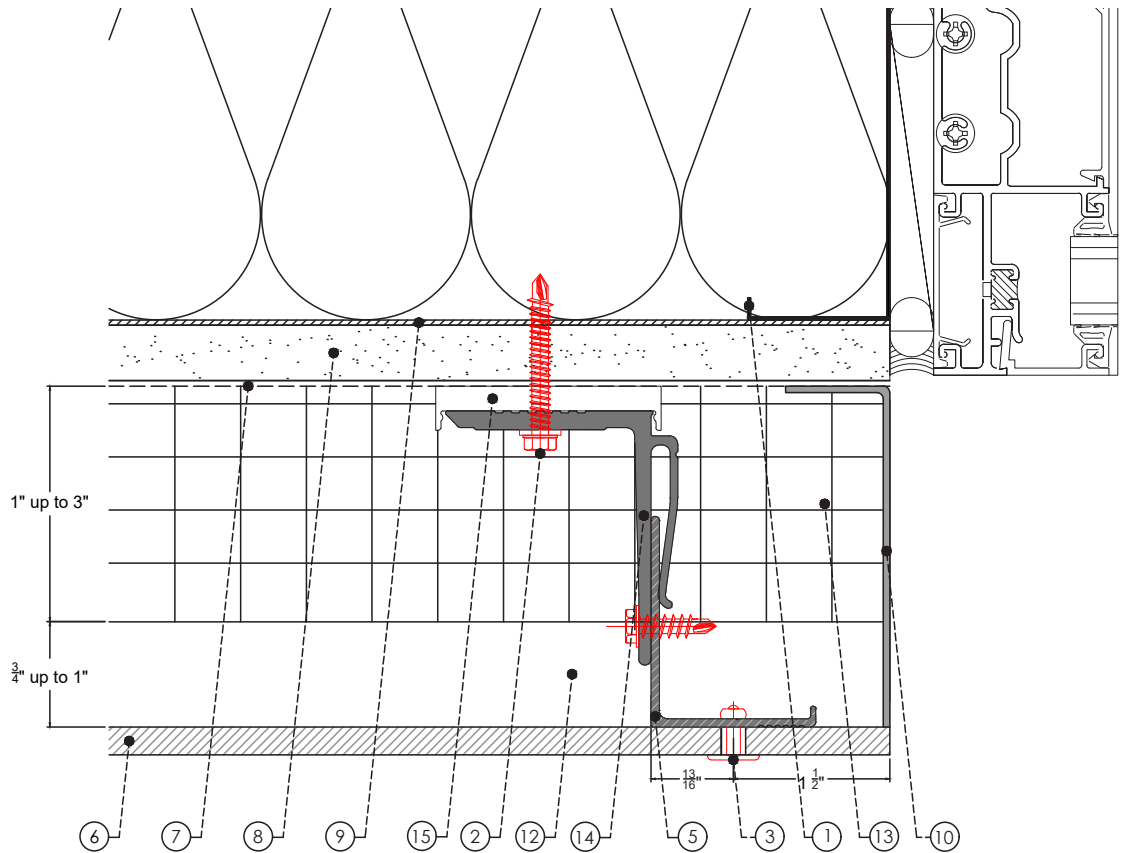
X-BK-V50

DETAIL:

PLAN VIEW MID PANEL

DETAIL SHEET:

BK-V50-04



LEGEND

- | | |
|--------------------------------|-----------------------------------|
| ① Steel Stud (16 GA typical) | ⑨ Steel Backing Plate as required |
| ② Wall anchor | ⑩ End profile |
| ③ SFS Rivet or Torx head screw | ⑪ Vent Screen 40% perf. |
| ④ X-T50 profile | ⑫ Air Chamber |
| ⑤ X-L50 profile | ⑬ Mineral Wool |
| ⑥ Exterior panel 8-10mm | ⑭ X-BK50 Bracket |
| ⑦ A/V Barrier | ⑮ X-TB-BK50 Thermal break pad |
| ⑧ Exterior Wall | |

NOTES:



SYSTEM:

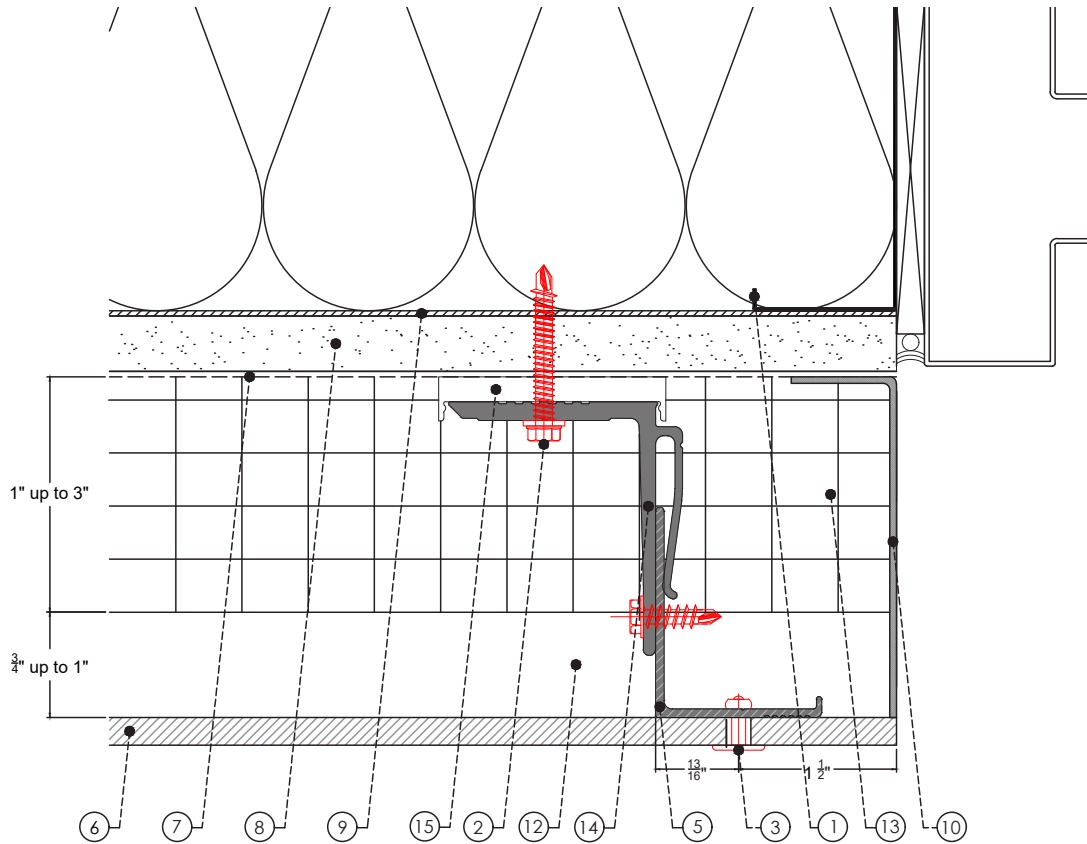
X-BK-V50

DETAIL:

PLAN VIEW WINDOW JAMB

DETAIL SHEET:

BK-V50-05



LEGEND

- | | |
|--------------------------------|-----------------------------------|
| ① Steel Stud (16 GA typical) | ⑨ Steel Backing Plate as required |
| ② Wall anchor | ⑩ End profile |
| ③ SFS Rivet or Torx head screw | ⑪ Vent Screen 40% perf. |
| ④ X-T50 profile | ⑫ Air Chamber |
| ⑤ X-L50 profile | ⑬ Mineral Wool |
| ⑥ Exterior panel 8-10mm | ⑭ X-BK50 Bracket |
| ⑦ A/V Barrier | ⑮ X-TB-BK50 Thermal break pad |
| ⑧ Exterior Wall | |

NOTES:



SYSTEM:

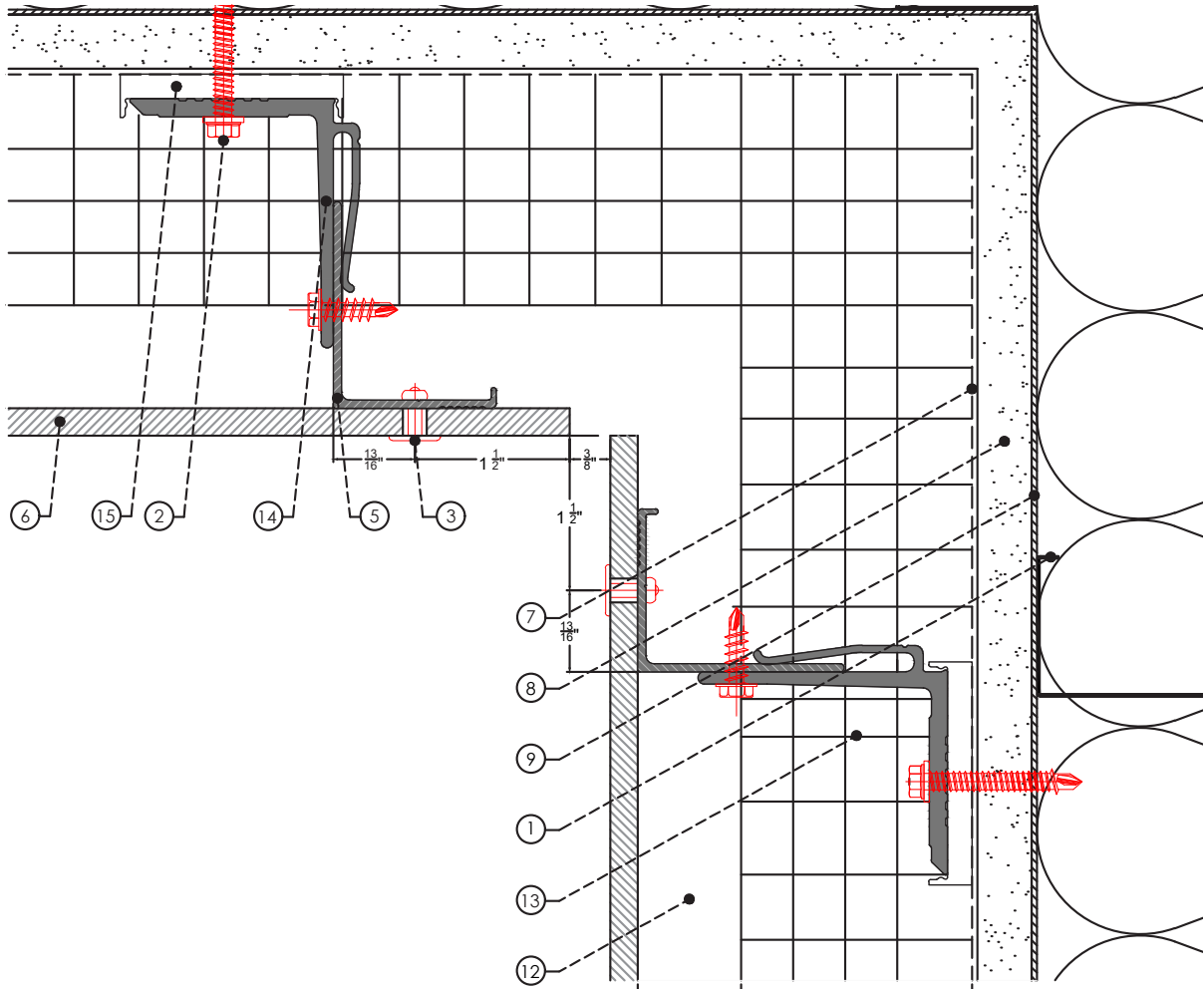
X-BK-V50

DETAIL:

PLAN VIEW DOOR JAMB

DETAIL SHEET:

BK-V50-06



LEGEND

- | | |
|--------------------------------|-----------------------------------|
| ① Steel Stud (16 GA typical) | ⑨ Steel Backing Plate as required |
| ② Wall anchor | ⑩ End profile |
| ③ SFS Rivet or Torx head screw | ⑪ Vent Screen 40% perf. |
| ④ X-T50 profile | ⑫ Air Chamber |
| ⑤ X-L50 profile | ⑬ Mineral Wool |
| ⑥ Exterior panel 8-10mm | ⑭ X-BK50 Bracket |
| ⑦ A/V Barrier | ⑮ X-TB-BK50 Thermal break pad |
| ⑧ Exterior Wall | |

NOTES:



SYSTEM:

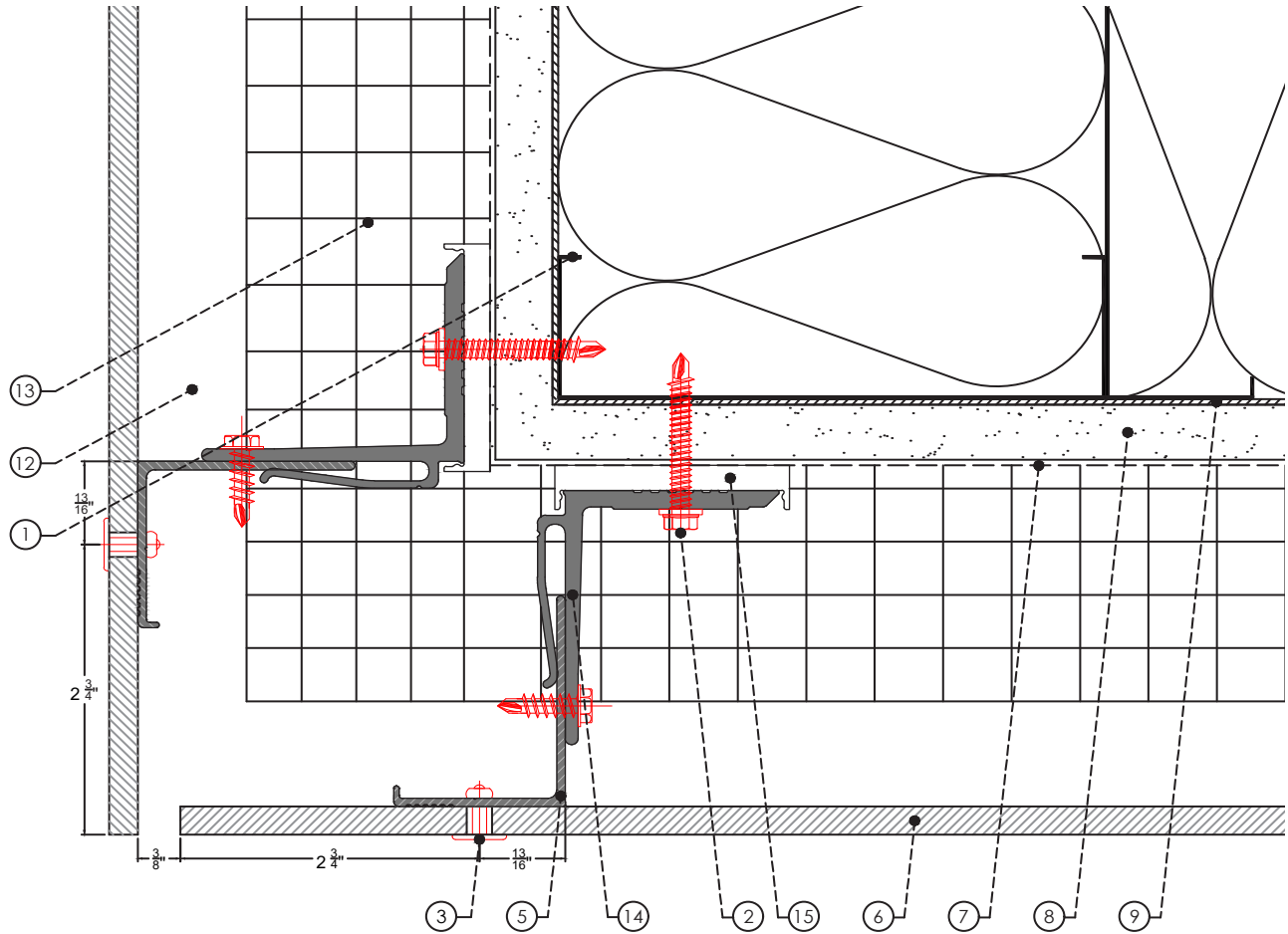
X-BK-V50

DETAIL:

PLAN VIEW INSIDE CORNER

DETAIL SHEET:

BK-V50-07



LEGEND

- | | |
|--------------------------------|-----------------------------------|
| ① Steel Stud (16 GA typical) | ⑨ Steel Backing Plate as required |
| ② Wall anchor | ⑩ End profile |
| ③ SFS Rivet or Torx head screw | ⑪ Vent Screen 40% perf. |
| ④ X-T50 profile | ⑫ Air Chamber |
| ⑤ X-L50 profile | ⑬ Mineral Wool |
| ⑥ Exterior panel 8-10mm | ⑭ X-BK50 Bracket |
| ⑦ A/V Barrier | ⑮ X-TB-BK50 Thermal break pad |
| ⑧ Exterior Wall | |

NOTES:



SYSTEM:

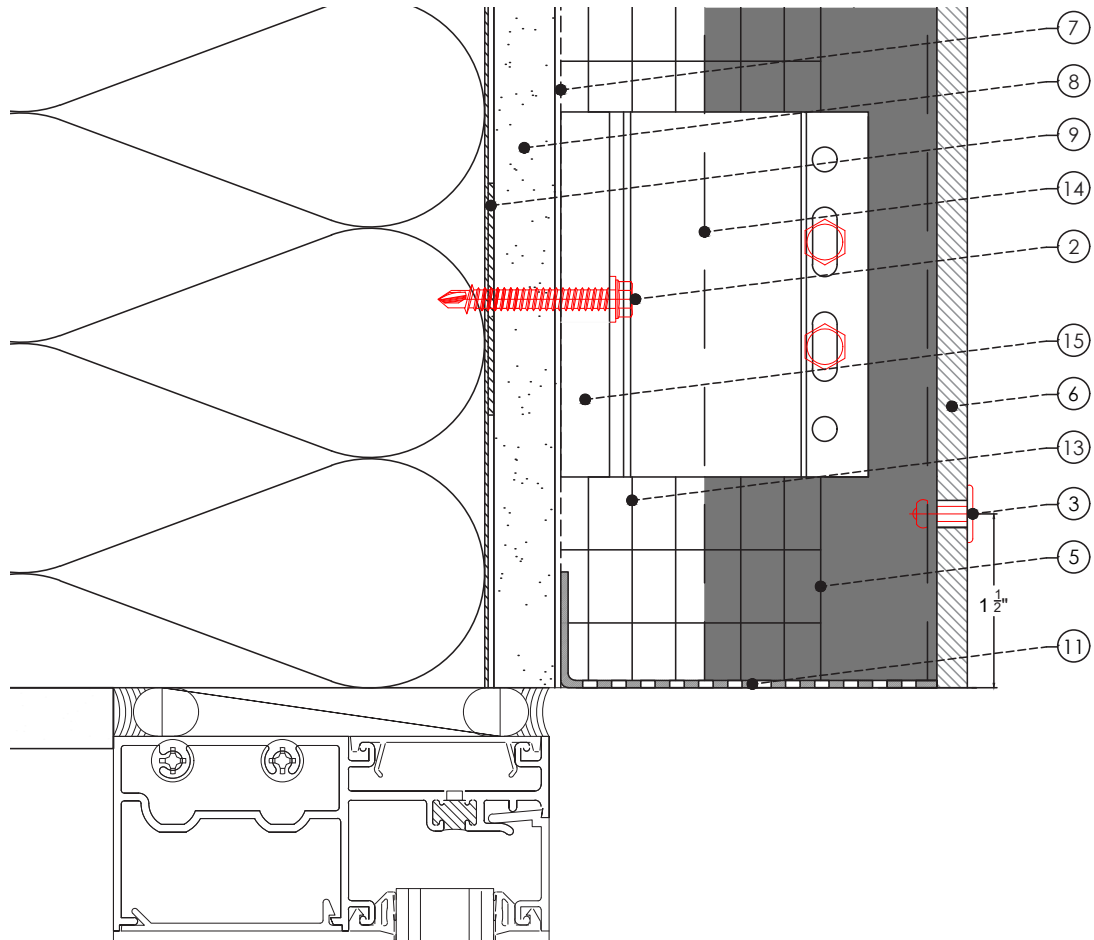
X-BK-V50

DETAIL:

PLAN VIEW OUTSIDE CORNER

DETAIL SHEET:

BK-V50-08



LEGEND

- | | |
|--------------------------------|-----------------------------------|
| ① Steel Stud (16 GA typical) | ⑨ Steel Backing Plate as required |
| ② Wall anchor | ⑩ End profile |
| ③ SFS Rivet or Torx head screw | ⑪ Vent Screen 40% perf. |
| ④ X-T50 profile | ⑫ Air Chamber |
| ⑤ X-L50 profile | ⑬ Mineral Wool |
| ⑥ Exterior panel 8-10mm | ⑭ X-BK50 Bracket |
| ⑦ A/V Barrier | ⑮ X-TB-BK50 Thermal break pad |
| ⑧ Exterior Wall | |

NOTES:



SYSTEM:

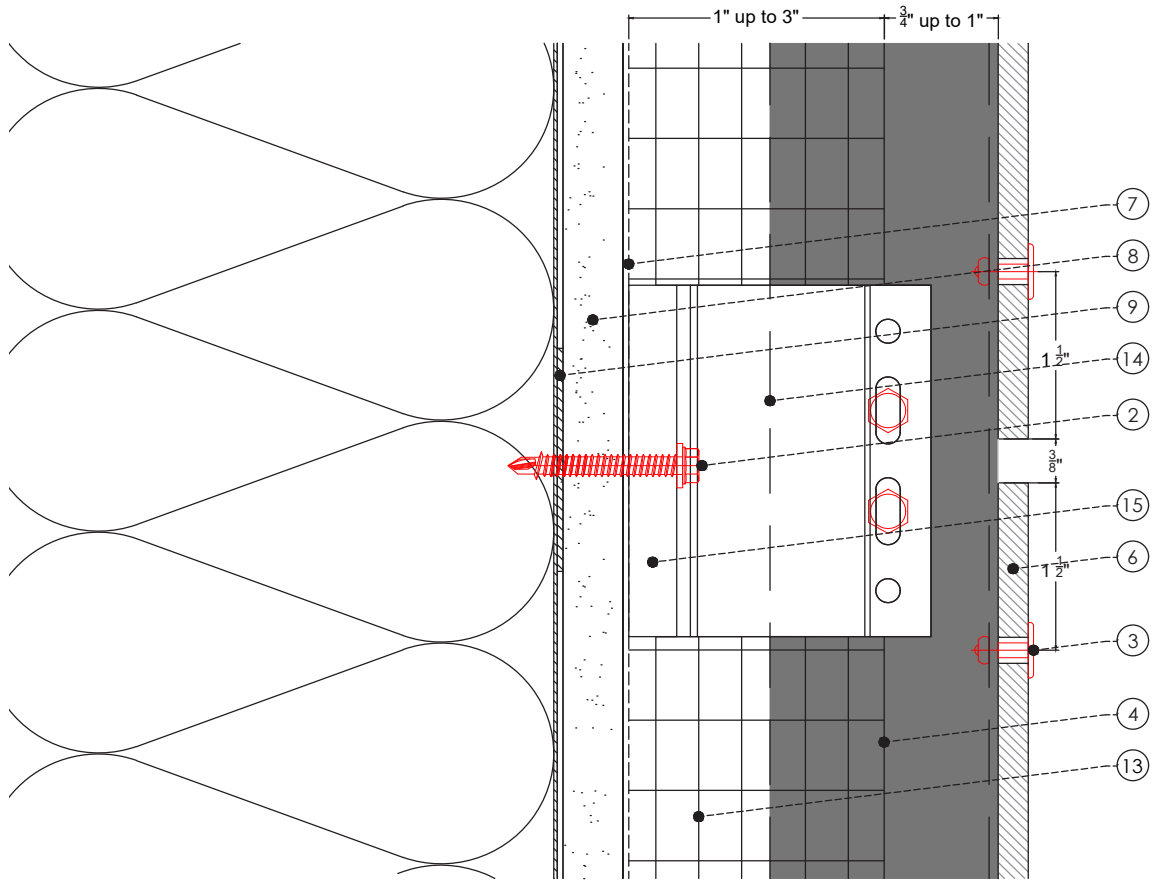
X-BK-V50

DETAIL:

SECTION WINDOW HEAD

DETAIL SHEET:

BK-V50-09



LEGEND

- | | |
|--------------------------------|-----------------------------------|
| ① Steel Stud (16 GA typical) | ⑨ Steel Backing Plate as required |
| ② Wall anchor | ⑩ End profile |
| ③ SFS Rivet or Torx head screw | ⑪ Vent Screen 40% perf. |
| ④ X-T50 profile | ⑫ Air Chamber |
| ⑤ X-L50 profile | ⑬ Mineral Wool |
| ⑥ Exterior panel 8-10mm | ⑭ X-BK50 Bracket |
| ⑦ A/V Barrier | ⑮ X-TB-BK50 Thermal break pad |
| ⑧ Exterior Wall | |

NOTES:



SYSTEM:

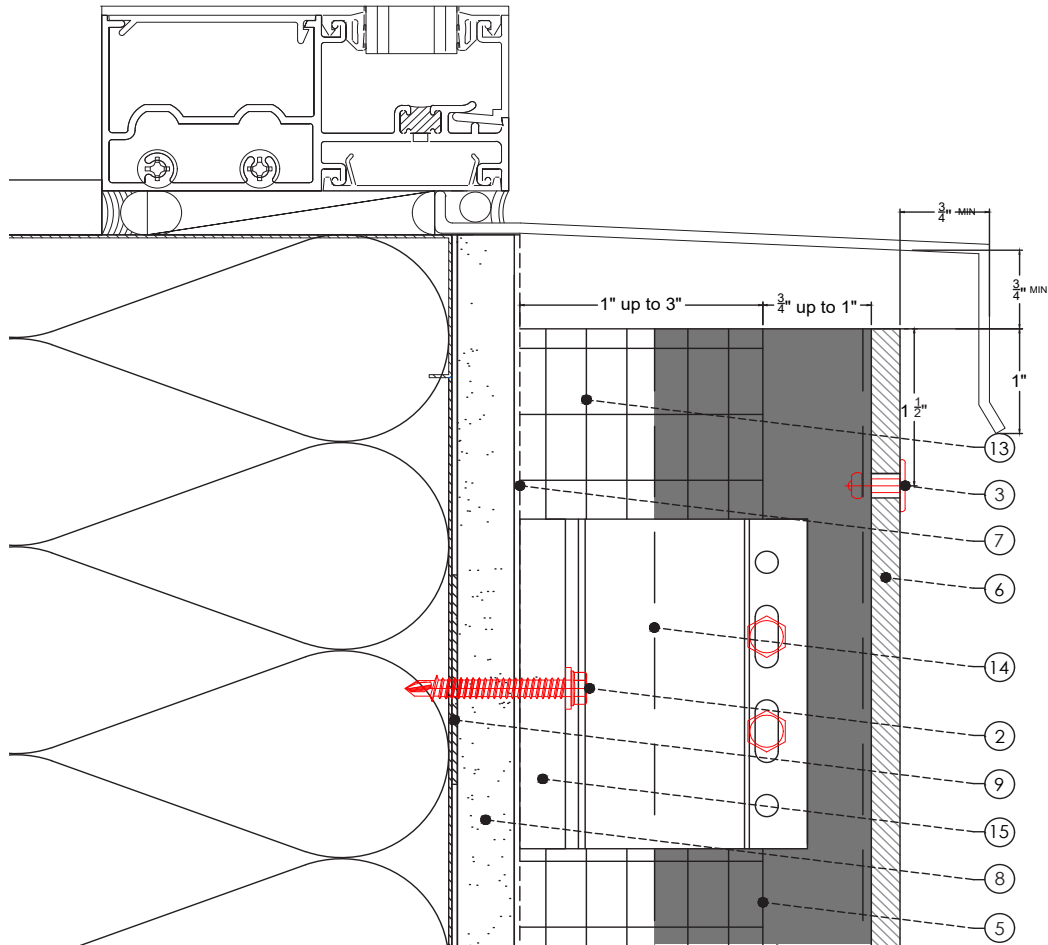
X-BK-V50

DETAIL:

SECTION HORIZONTAL PANEL JOINT

DETAIL SHEET:

BK-V50-10



LEGEND

- | | |
|--------------------------------|-----------------------------------|
| ① Steel Stud (16 GA typical) | ⑨ Steel Backing Plate as required |
| ② Wall anchor | ⑩ End profile |
| ③ SFS Rivet or Torx head screw | ⑪ Vent Screen 40% perf. |
| ④ X-T50 profile | ⑫ Air Chamber |
| ⑤ X-L50 profile | ⑬ Mineral Wool |
| ⑥ Exterior panel 8-10mm | ⑭ X-BK50 Bracket |
| ⑦ A/V Barrier | ⑮ X-TB-BK50 Thermal break pad |
| ⑧ Exterior Wall | |

NOTES:



SYSTEM:

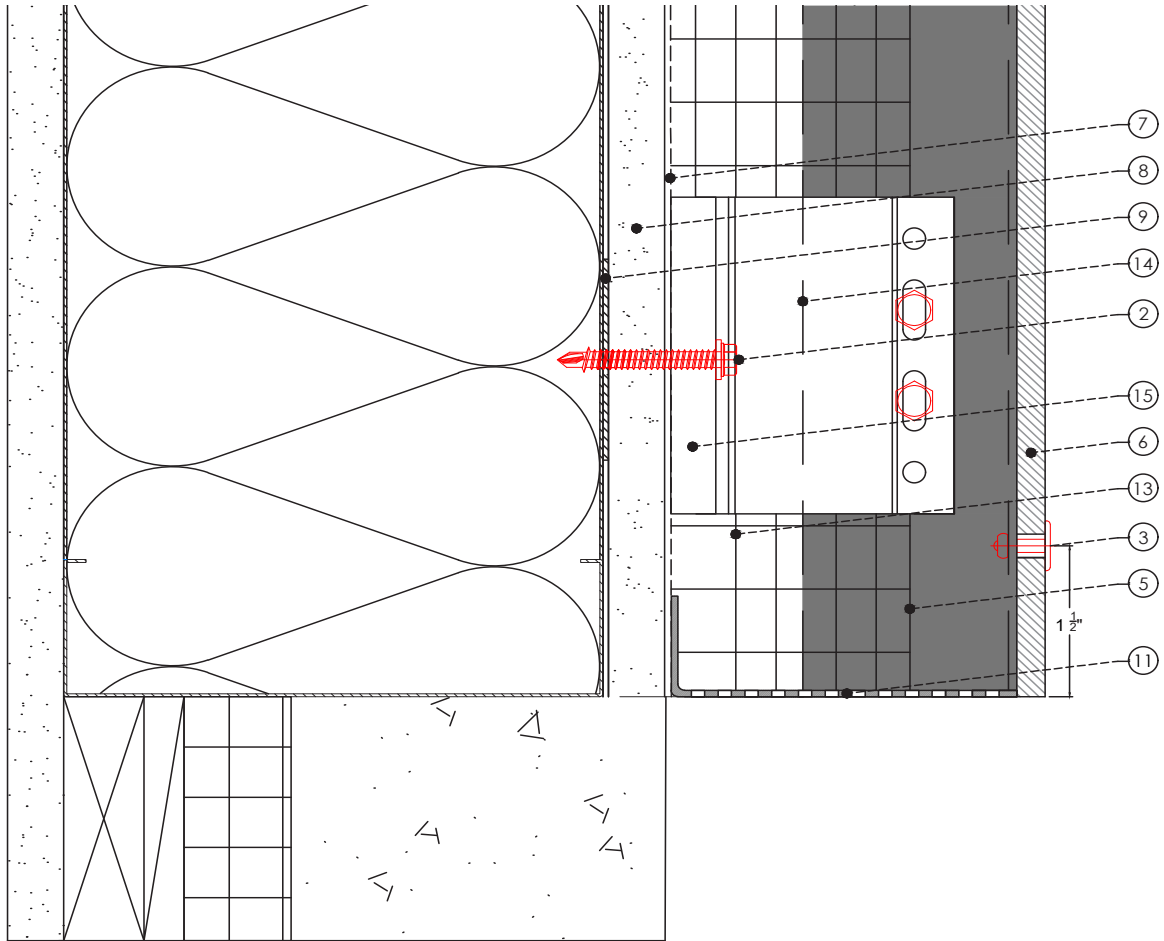
X-BK-V50

DETAIL:

SECTION WINDOW SILL

DETAIL SHEET:

BK-V50-11



LEGEND

- | | |
|--------------------------------|-----------------------------------|
| ① Steel Stud (16 GA typical) | ⑨ Steel Backing Plate as required |
| ② Wall anchor | ⑩ End profile |
| ③ SFS Rivet or Torx head screw | ⑪ Vent Screen 40% perf. |
| ④ X-T50 profile | ⑫ Air Chamber |
| ⑤ X-L50 profile | ⑬ Mineral Wool |
| ⑥ Exterior panel 8-10mm | ⑭ X-BK50 Bracket |
| ⑦ A/V Barrier | ⑮ X-TB-BK50 Thermal break pad |
| ⑧ Exterior Wall | |

NOTES:



SYSTEM:

X-BK-V50

DETAIL:

SECTION BASE DETAIL

DETAIL SHEET:

BK-V50-12